

SWGL 10/10H

Progressive Cavity Pump

Features

- * ANSO Flanges
- * Sealed Gear Joint
- * Mechanical Seal Option
- * Flushed Packing
- * Compact Design

Pump Description

The SWGL 10 and 10H Series of Progressive Cavity Pump is a classic pump series offered from Liberty Process Equipment. This is a traditional heavy-duty series of pumps with the same stator as the Liberty series of pumps, but offered additionally with heavy-duty gear joints. This pump series is an ideal solution for sewage treatment sludge handling applications. It is offered in cast iron with ANSI standard flanges for suction and discharge connections.

We also offer optional mechanical seals as well as our standard gland packing. This pump dimensionally interchanges with other manufacturers pumps and is a drop-in replacement. At Liberty Process, we stock all the spare parts for this series to meet quick delivery needs.

Materials

Rotor: *Chrome Plated Tool Steel or Stainless Steel*

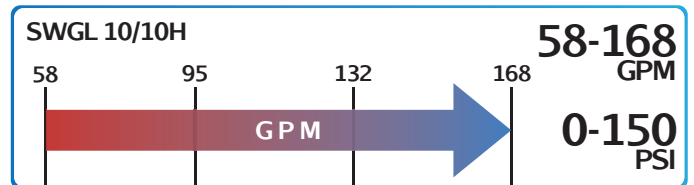
Stator: *Buna Nitrile, EPDM, Rubber, Viton™*

Motor: *5, 7-1/2, and 10 hp*

Inlet: *6"*

Outlet: *6"*

Bases: *Steel and Stainless Steel*



Curves



Single Stage



Double Stage



Triple Stage

Please Click the Icon

Drawings



Single Stage



Double Stage



Triple Stage

Please Click the Icon

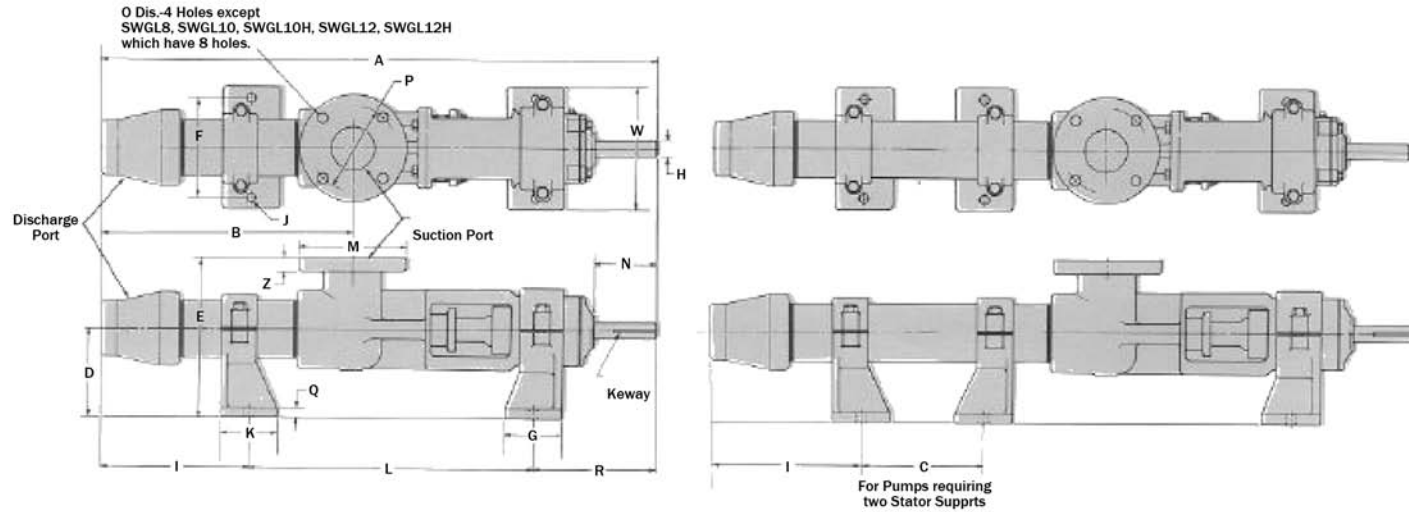
Click To Visit www.libertyprocess.com >>



Liberty Process Equipment, Inc.
2525 S Clearbrook Dr.
Arlington Heights, IL 60005-4623
P-(847) 640-7867
F-(847) 640-7855
sales@libertyprocess.com



SWGL Pump Series – Dimension Sheet



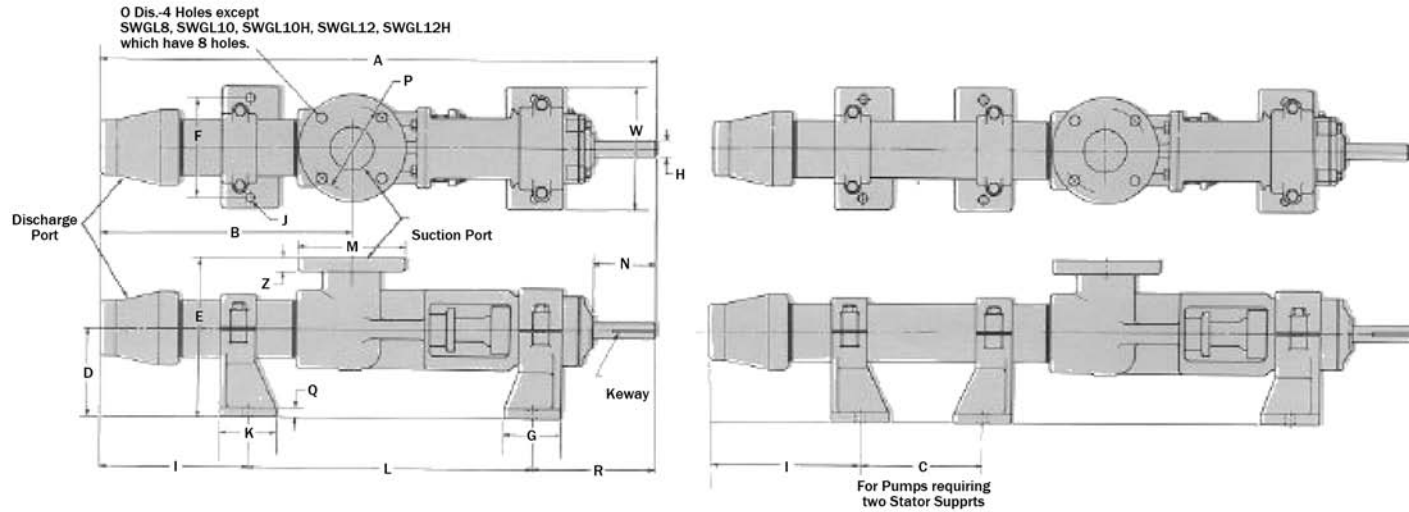
Standard Pump Dimensions

Model	A	B	C	D	E	F	G	H	I	J	K	L	M	N	O	P	Q	R	W	Z	Keyway	Suct. Size	Disc. Size	Approx. Lbs.
1SWGL10	53-1/8	21-7/8	-	9-3/4	16-11/16	9	5	1-7/8	9-5/8	7/8	5	30	11	5-3/8	7/8	9-1/2	1-1/8	13-1/2	11-1/2	1	1/2x1/4	6"	5"	412
2SWGL10	63-1/2	32-1/4	-	9-3/4	16-11/16	9	5	1-7/8	14-1/2	7/8	5	35-1/2	11	5-3/8	7/8	9-1/2	1-1/8	13-1/2	11-1/2	1	1/2x1/4	6"	5"	500
3SWGL10	73-1/8	42-5/8	18	9-3/4	16-11/16	9	5	1-7/8	12-3/8	7/8	5	30	11	5-3/8	7/8	9-1/2	1-1/8	13-1/2	11-1/2	1	1/2x1/4	6"	5"	545
1SWGL12	70	31	-	12-1/2	21	12-5/8	6	2-1/4	14-1/2	1	6	37-1/2	13-1/2	6	7/8	11-3/4	1-1/8	18	14-1/2	1-1/8	1/2x1/4	8"	6"	880
2SWGL12	85-1/2	46-1/2	20-1/2	12-1/2	21	12-5/8	6	2-1/4	12	1	6	35	13-1/2	6	7/8	11-3/4	1-1/8	18	14-1/2	1-1/8	1/2x1/4	8"	6"	1075
3SWGL12	101-1/8	62-1/8	27	12-1/2	21	12-5/8	6	2-1/4	14-1/8	1	6	42	13-1/2	6	7/8	11-3/4	1-1/8	18	14-1/2	1-1/8	1/2x1/4	8"	6"	1200

*All listed dimensions in inches



SWGL Pump Series – Dimension Sheet



Standard Pump Dimensions

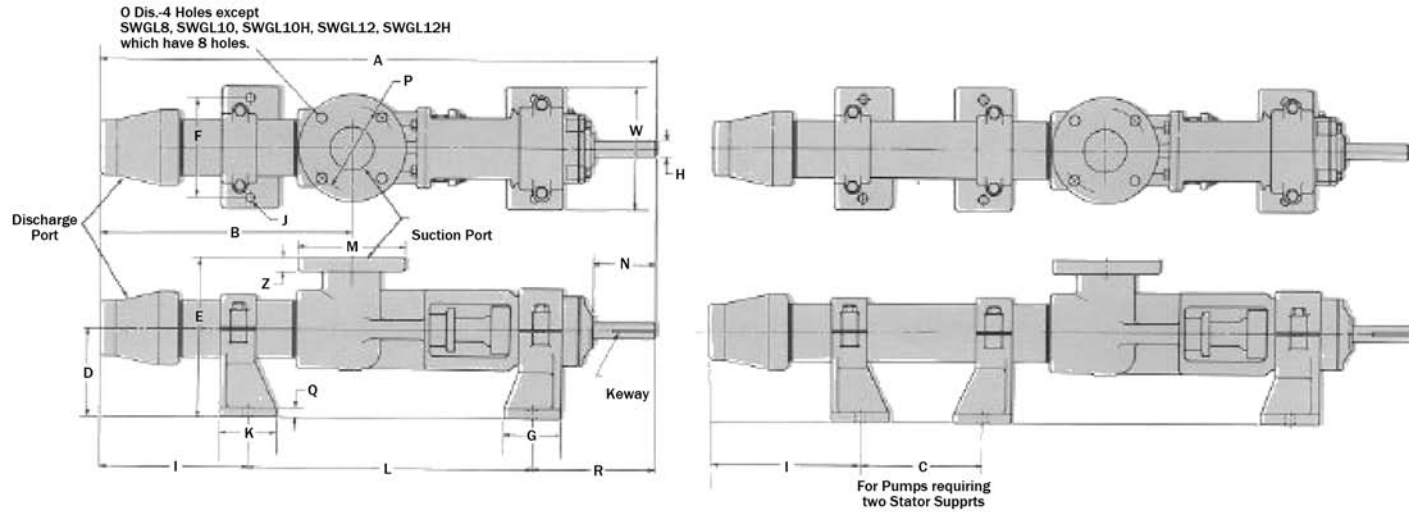
Suct. Disc. Approx.

Model	A	B	C	D	E	F	G	H	I	J	K	L	M	N	O	P	Q	R	W	Z	Keyway	Suct. Size	Disc. Size	Approx. Lbs.
1SWGL10	53-1/8	21-7/8	-	9-3/4	16-11/16	9	5	1-7/8	9-5/8	7/8	5	30	11	5-3/8	7/8	9-1/2	1-1/8	13-1/2	11-1/2	1	1/2x1/4	6"	5"	412
2SWGL10	63-1/2	32-1/4	-	9-3/4	16-11/16	9	5	1-7/8	14-1/2	7/8	5	35-1/2	11	5-3/8	7/8	9-1/2	1-1/8	13-1/2	11-1/2	1	1/2x1/4	6"	5"	500
3SWGL10	73-1/8	42-5/8	18	9-3/4	16-11/16	9	5	1-7/8	12-3/8	7/8	5	30	11	5-3/8	7/8	9-1/2	1-1/8	13-1/2	11-1/2	1	1/2x1/4	6"	5"	545
1SWGL12	70	31	-	12-1/2	21	12-5/8	6	2-1/4	14-1/2	1	6	37-1/2	13-1/2	6	7/8	11-3/4	1-1/8	18	14-1/2	1-1/8	1/2x1/4	8"	6"	880
2SWGL12	85-1/2	46-1/2	20-1/2	12-1/2	21	12-5/8	6	2-1/4	12	1	6	35	13-1/2	6	7/8	11-3/4	1-1/8	18	14-1/2	1-1/8	1/2x1/4	8"	6"	1075
3SWGL12	101-1/8	62-1/8	27	12-1/2	21	12-5/8	6	2-1/4	14-1/8	1	6	42	13-1/2	6	7/8	11-3/4	1-1/8	18	14-1/2	1-1/8	1/2x1/4	8"	6"	1200

*All listed dimensions in inches



SWGL Pump Series – Dimension Sheet



Standard Pump Dimensions

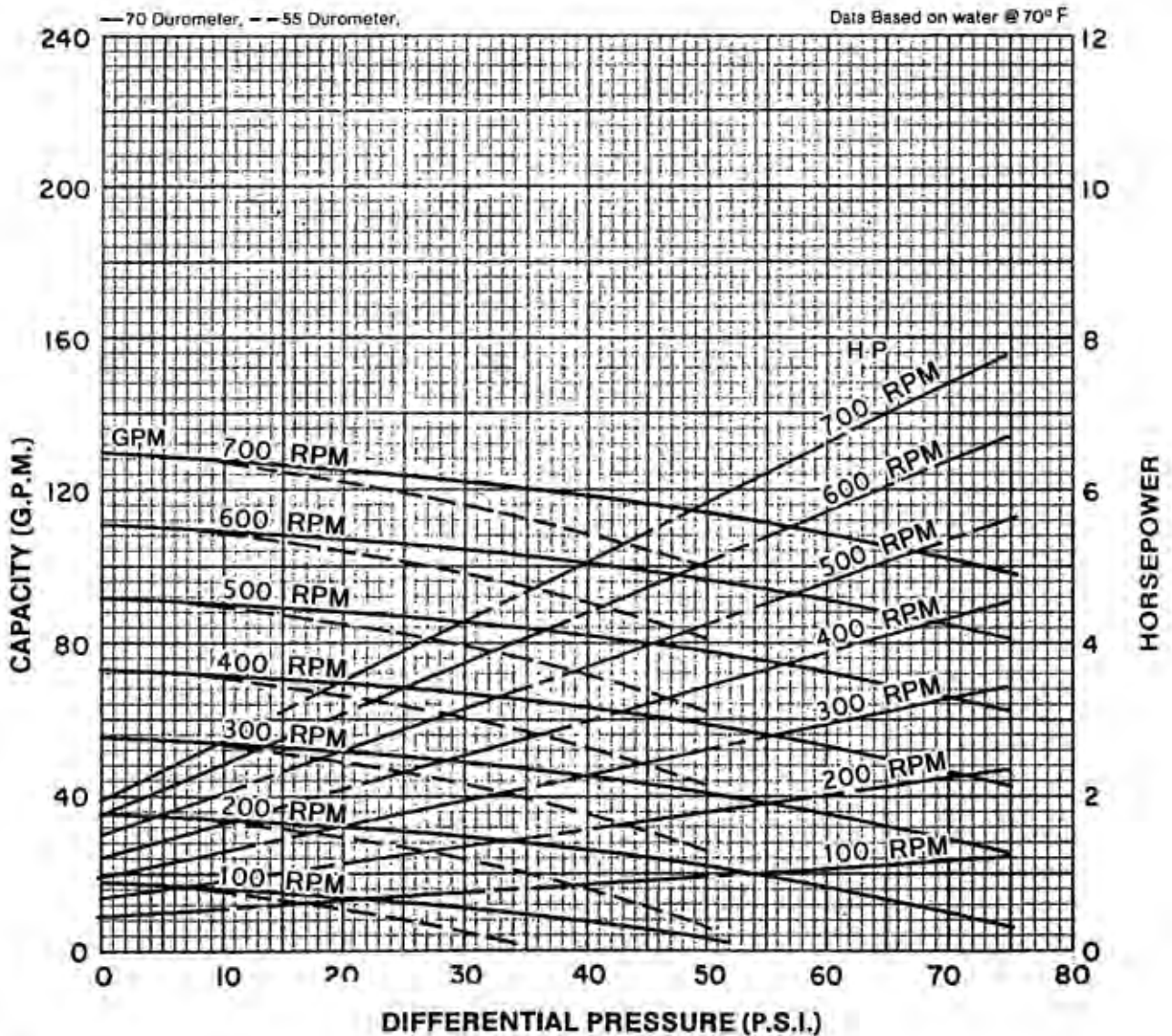
Suct. Disc. Approx.

Model	A	B	C	D	E	F	G	H	I	J	K	L	M	N	O	P	Q	R	W	Z	Keyway	Suct. Size	Disc. Size	Approx. Lbs.
1SWGL10	53-1/8	21-7/8	-	9-3/4	16-11/16	9	5	1-7/8	9-5/8	7/8	5	30	11	5-3/8	7/8	9-1/2	1-1/8	13-1/2	11-1/2	1	1/2x1/4	6"	5"	412
2SWGL10	63-1/2	32-1/4	-	9-3/4	16-11/16	9	5	1-7/8	14-1/2	7/8	5	35-1/2	11	5-3/8	7/8	9-1/2	1-1/8	13-1/2	11-1/2	1	1/2x1/4	6"	5"	500
3SWGL10	73-1/8	42-5/8	18	9-3/4	16-11/16	9	5	1-7/8	12-3/8	7/8	5	30	11	5-3/8	7/8	9-1/2	1-1/8	13-1/2	11-1/2	1	1/2x1/4	6"	5"	545
1SWGL12	70	31	-	12-1/2	21	12-5/8	6	2-1/4	14-1/2	1	6	37-1/2	13-1/2	6	7/8	11-3/4	1-1/8	18	14-1/2	1-1/8	1/2x1/4	8"	6"	880
2SWGL12	85-1/2	46-1/2	20-1/2	12-1/2	21	12-5/8	6	2-1/4	12	1	6	35	13-1/2	6	7/8	11-3/4	1-1/8	18	14-1/2	1-1/8	1/2x1/4	8"	6"	1075
3SWGL12	101-1/8	62-1/8	27	12-1/2	21	12-5/8	6	2-1/4	14-1/8	1	6	42	13-1/2	6	7/8	11-3/4	1-1/8	18	14-1/2	1-1/8	1/2x1/4	8"	6"	1200

*All listed dimensions in inches

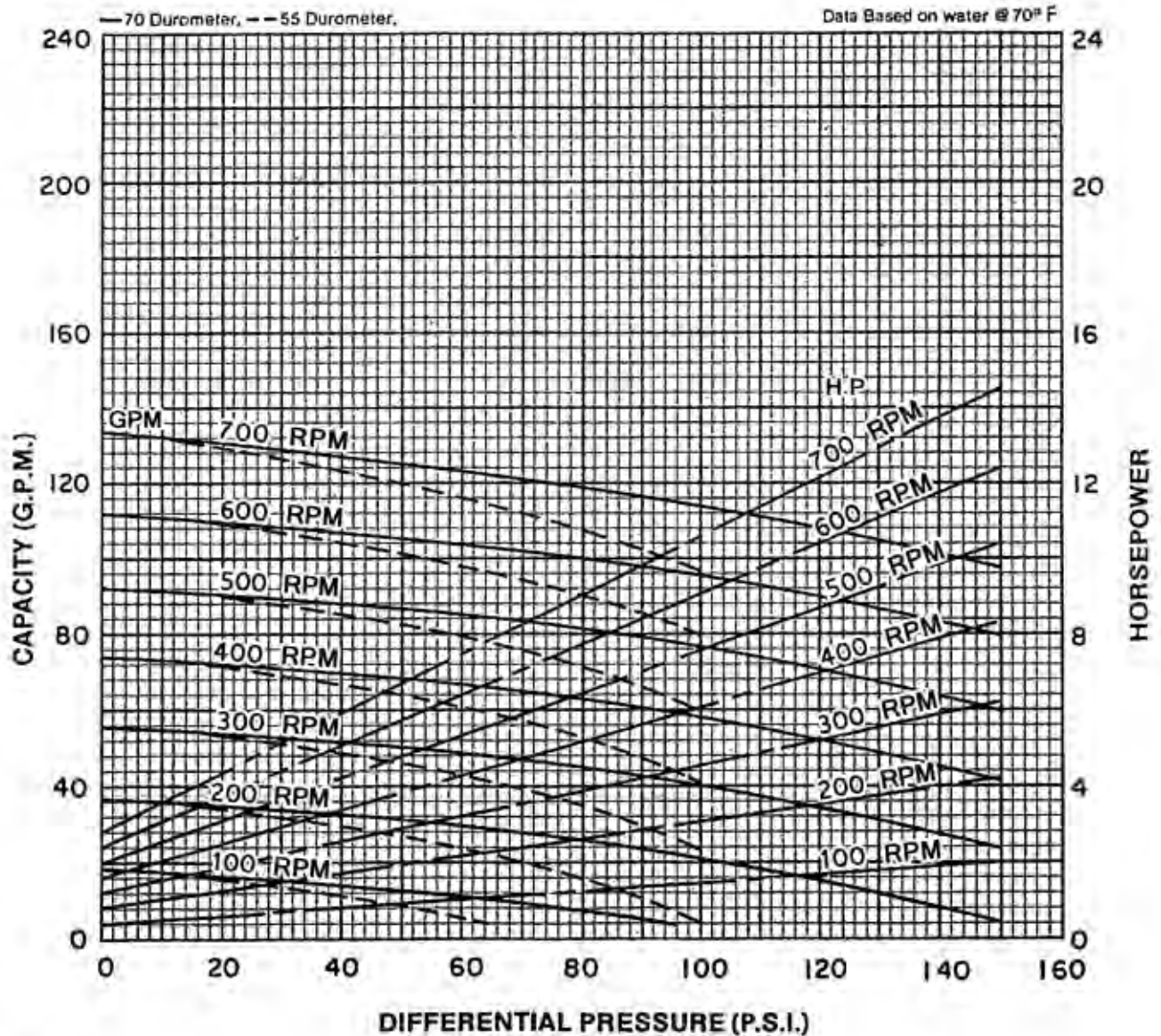
SWGL 1SWGL10

RPM	100	200	300	400	500	600	700
NPSH REQ'D	.9	1.7	2.6	3.5	4.9	6.9	9.1
MIN. HP	1	1½	2	3	5	5	5



SWGL 2SWGL10

RPM	100	200	300	400	500	600	700
NPSH REQ'D	.9	1.7	2.6	3.5	4.9	6.9	9.1
MIN. HP	1 1/2	2	3	5	7 1/2	7 1/2	10



SWGL 3SWGL10

RPM	100	200	300	400	500	600	700
NPSH REQ'D	9	1.7	2.6	3.5	4.9	6.9	9.1
MIN. HP	2	3	5	7½	10	10	15

