

Justice LJ10H

Progressive Cavity Pump

Features

- * Large Hopper
- * Welded Auger
- * Hardened Joints
- * Packing or Mechanical Seal
- * 3-Stage Options
- * Steel or Stainless Steel

Pump Description

The Liberty Justice LJ10H Series Open Hopper Progressive Cavity Pump represents an ideal pumping solution for viscous solutions with high solids contents such as filter press feeding in the industrial wastewater industry. Flow rates of 27.7 GPM/ per 100 Revolutions (85 GPM to 127 GPM) at 0-150 PSI are standard through the range of the series. The Justice Series offers a design of a heavy-duty auger mated to a rotor and stator for the most difficult pumping applications available today.

The large rectangular feed hopper design easily accommodates your pumping medium while the non-pulsating design of the product produces a low-shear flow that conveys your medium along effortlessly. Solids in suspension of up to 50% are accommodated by the Auger design.

The modular design of the LJ10H Justice Series Open Hopper Progressive Cavity pump is a hardened pinned-joint drive assembly with a body available in steel or 316 stainless steel and internal wetted components in either stainless steel or hardened tool steel with hard chrome plating for long-life and durability in abrasive pumping applications.

Rotors and Stators for the LJ10H Justice Series are available in 1, 2, and 3 stages for applications with 75, 150, and 225 PSI discharge pressures with stators available in Buna Nitrile, Viton, EPDM and Natural Rubber. The standard seal design is a set of packing with a lantern ring and flush connections. Mechanical Seal options are readily available.

Contact a Liberty Process representative today for more information about the Justice Series

Materials

Rotor: *Stainless Steel, Chrome-Plated*

Stator: *Buna, Rubber, Viton™, EPDM*

Motor: *7.5, 10, 15, and 20 hp*

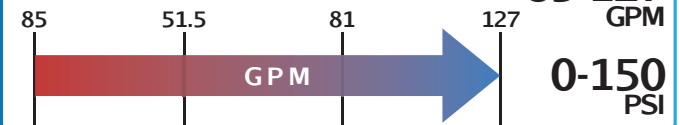
Inlet: *26" x 12"*

Outlet: *5"*

Bases: *Steel and Stainless Steel*



Justice LJ10H



Curves



Single Stage



Double Stage

Please Click the Icon

Drawings



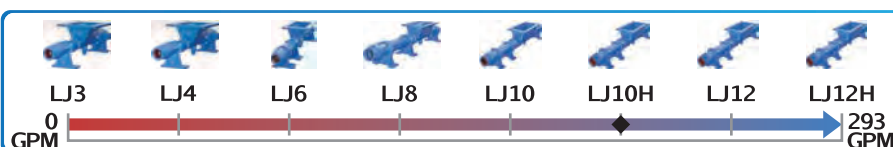
Single Stage



Double Stage

Please Click the Icon

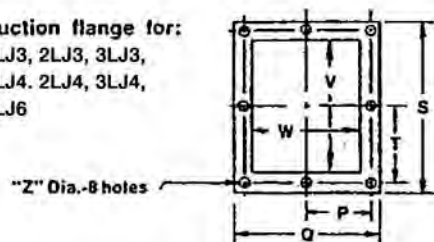
Click To Visit www.libertyprocess.com >>



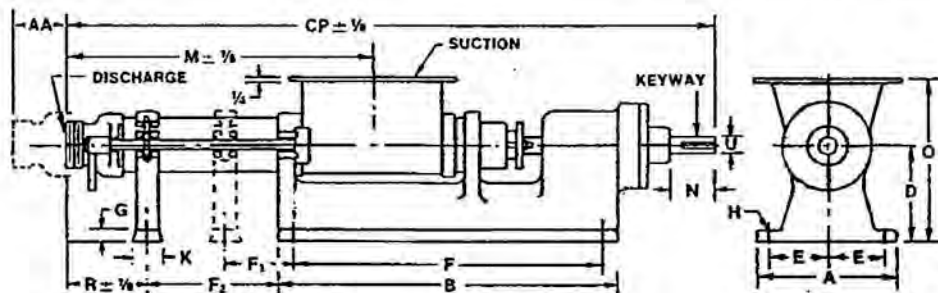
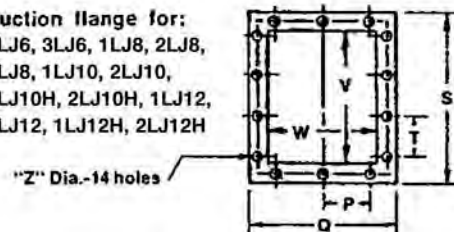
Liberty Process Equipment, Inc.
 2525 S Clearbrook Dr.
 Arlington Heights, IL 60005-4623
 P-(847) 640-7867
 F-(847) 640-7855
sales@libertyprocess.com

Type LJ

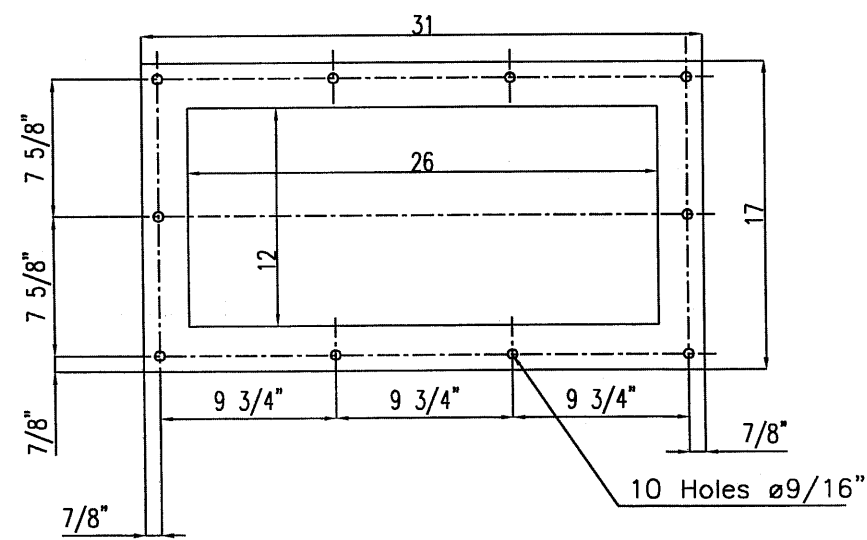
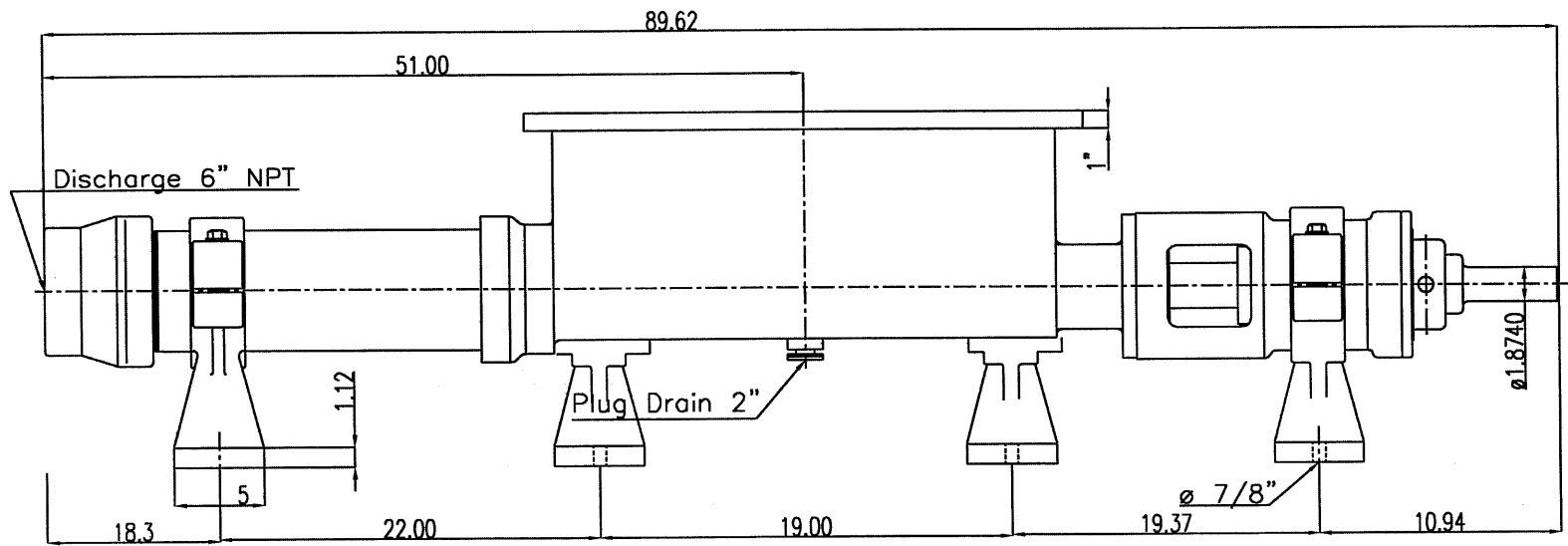
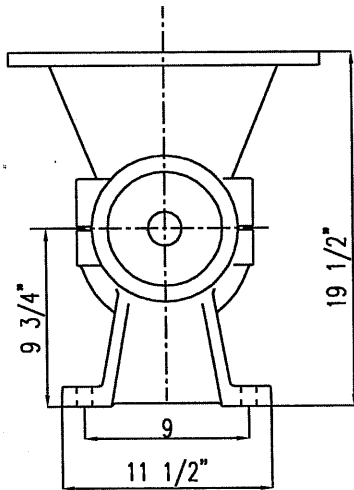
Suction flange for:
1LJ3, 2LJ3, 3LJ3,
1LJ4, 2LJ4, 3LJ4,
1LJ6



Suction flange for:
2LJ6, 3LJ6, 1LJ8, 2LJ8,
3LJ8, 1LJ10, 2LJ10,
1LJ10H, 2LJ10H, 1LJ12,
2LJ12, 1LJ12H, 2LJ12H



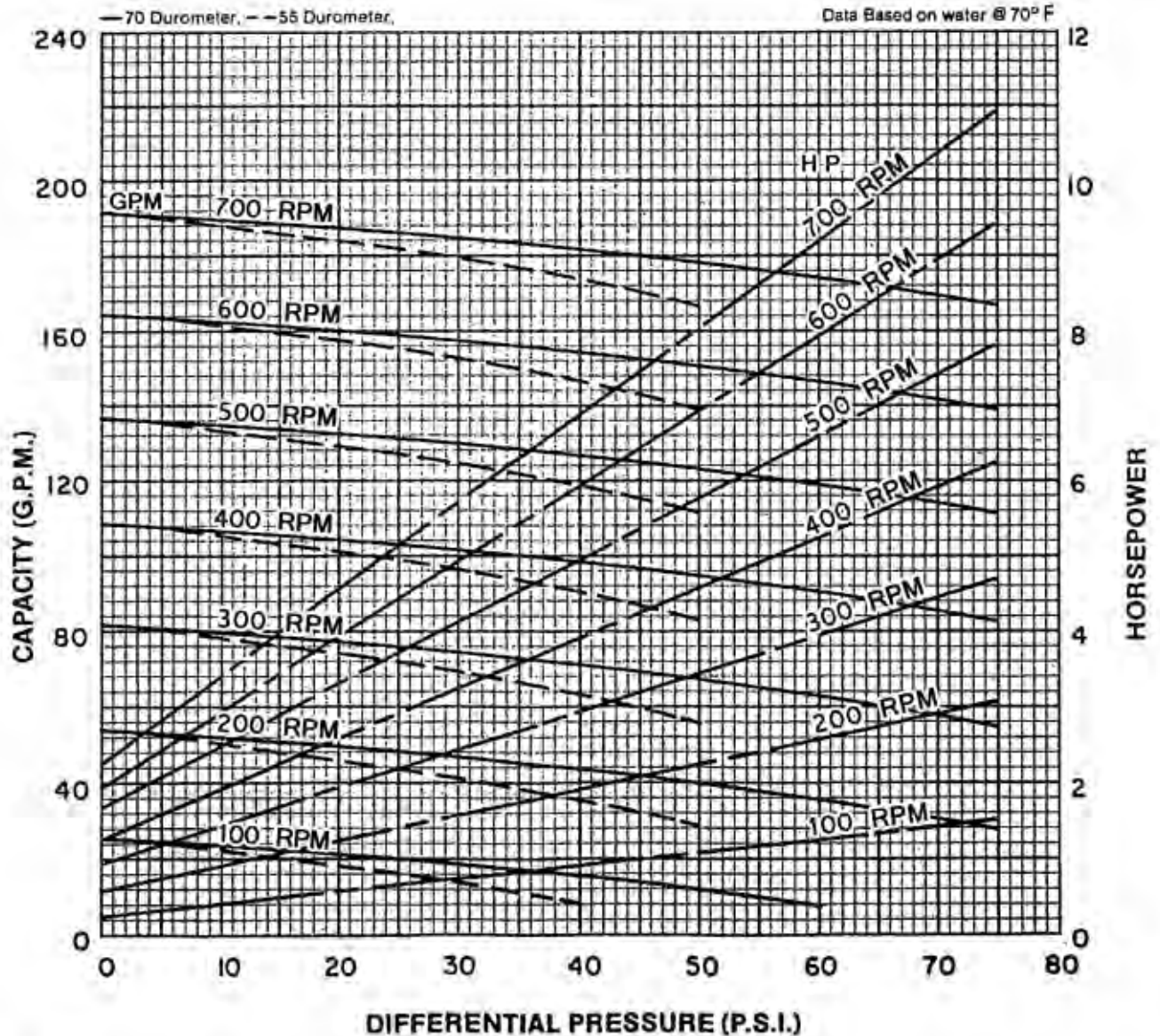
Pump	AA	A	B	CP	D	E	F	F2	G	H	K	M	N	O	P	Q	R	S	T	U	V	W	Z	Key	Disc	LBS.
1LJ4	4 7/8	6 1/4	15 1/2	32 9/16	4 1/8	2 1/2	14	5	1/2	7/16	2	15 3/4	3	7 7/8	2 3/4	6 1/2	7 1/16	9 1/2	4 1/2	15/16	7	4	7/16	1/4 1/8	2	52
1LJ6	6 5/8	8 1/2	19	41	6 1/4	3 1/2	17	7	5/8	11/16	2 1/2	19 5/16	4 3/8	10 3/4	3 3/4	8 1/2	8	10 1/2	4 3/4	1 1/8	8	6	3/16	1/4 1/8	2 1/2	117
1LJ8	5/88	11	26 1/2	54 3/8	8	4 1/2	24	11	3/4	13/16	3	24 1/8	4 1/2	13 3/4	3 1/2	11 1/2	8 1/2	15 1/2	3 3/4	1 3/8	12	8	9/16	3/8 3/16	4	273
1LJ10	10 1/4	11	29 1/4	60 5/16	9 3/4	4 1/2	26 1/4	12	1 1/8	13/16	3	27 7/8	5	15 1/2	4	12 1/2	10 9/16	16 1/2	4	1 7/8	13	9	9/16	1/2x 1/4	4	535
1LJ10H	10 1/4	11	29 1/4	60 9/16	9 3/4	4 1/2	26 1/4	12	1 1/8	13/16	3	28 1/8	5	15 1/2	4	12 1/2	10 16/16	16 1/2	4	1 7/8	13	9	9/16	1/2 1/4	4	535



00	02/03/06	DPM	DPM		Liberty Process
Rev	Date	Drawn by	Checked by	Aproved by	Arlington Heights,IL
Scale 1:5	FRAME: 2J10H Pump				Part Code: ***
Toler +5	TYPE: -CDQ-				Dwg N°: 3617
-5	Page: 01 of 01				Page: 01 of 01

Justice 1LJ10H

RPM	100	200	300	400	500	600	700
NPSH REQ'D	1.1	2.1	3.2	4.7	7.4	9.9	12.6
MIN. HP	1	2	3	5	5	7 1/2	7 1/2



Justice 2LJ10H

RPM	100	200	300	400	500	600	700
NPSH REQ'D	1.1	2.1	3.2	4.7	7.4	9.9	12.6
MIN. HP	2	5	5	7½	10	10	15

