

# ADPL 1.50.3

## Progressive Cavity Pump for Metering & Dosing

### Features

- \* Accurate Flow
- \* Close Coupled
- \* No Pulsation
- \* No Check Valves
- \* Fits in Small Spaces
- \* Handles High Discharge Pressures

### Pump Description

The ADPL 1.50.3 Series of small High Pressure and Low Flow Progressive Cavity Metering Pumps from Liberty Process Equipment offers an ideal solution to many low-flow pumping applications that require high accuracy in volume control such as polymer feed for municipal sewage treatment facilities at an affordable price. For liquids that are low-viscosity to high-viscosity and abrasive liquids it provides a pumping solution that is much more reliable than other types of metering pumps available on the market today.

Small piston-type metering pumps with check valves have inherent problems of pulsation, sticking and ball check valves sticking and failing. The Liberty ADPL Series solves all of these problems with pulsation free flow, no check valves required and able to handle viscosities up to 20,000 CP. In addition, with its high-accuracy and repeatability it offers a cost-effective alternative to higher-priced "accurate" metering pumps.

All ADPL pumps are available in cast iron and more popular 316 Stainless Steel materials of all wetted parts and are ready to ship same-day from our facility. A wide variety of motors and controls are available for the ADPL from Liberty Process Equipment to meet your exact control needs and budget. All ADPL pumps have a 3/4" NPT female connections. Discharge connections for the ADPL 1.50.3 are 1" NPT Female.

Liberty Process can offer a drive and control option to meet your needs and budget. From a single fixed spaced rotor in AC or DC to a single hand dial to vary the speed to a remote control PLC, Liberty Process Equipment has your low-flow pumping solutions ready to ship same day. Contact us today for a quote and see the difference the ADPL 1.50.3 can make in your low-flow pumping applications.

### Materials

**Rotor:** *Chrome Plated 316 Stainless Steel*

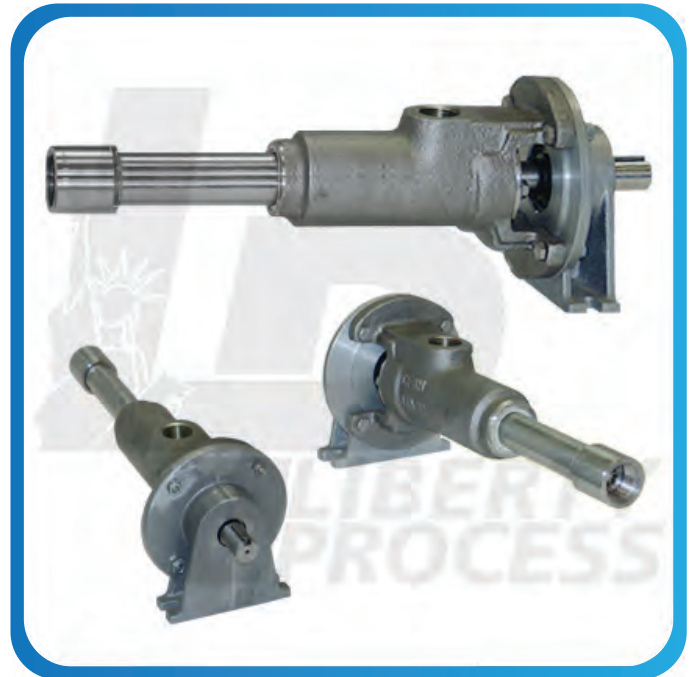
**Stator:** *Buna, Viton™*

**Motor:** *1/2 hp*

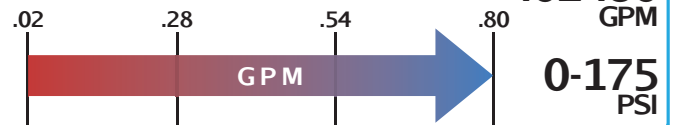
**Inlet:** *1-1/2"*

**Outlet:** *1-1/2"*

**Bases:** *Steel and Stainless Steel*



ADPL 1.50.3



### Curves

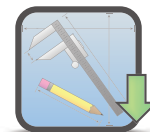
ADPL  
1.50.3



Please  
Click  
the Icon

### Drawings

ADPL  
1.50.3

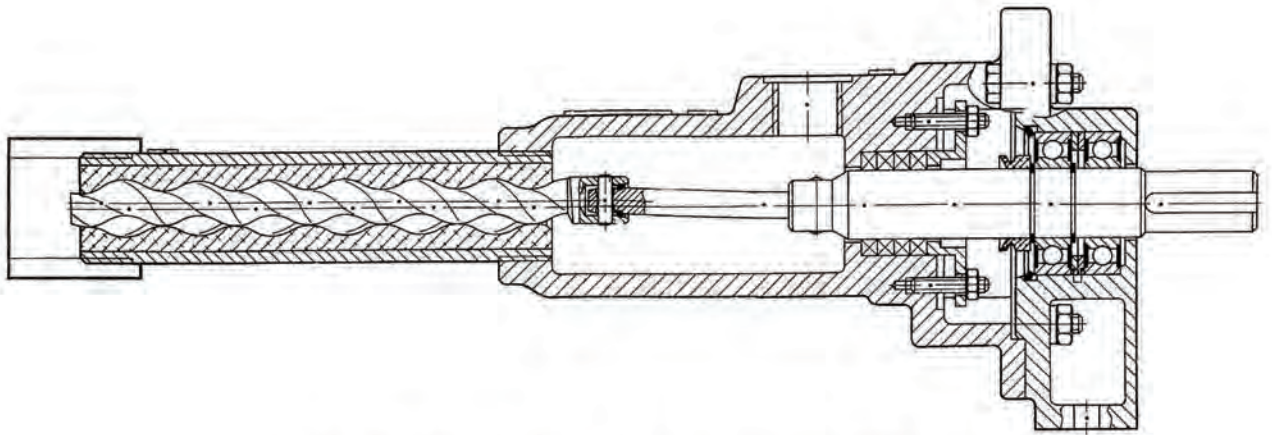


Please  
Click  
the Icon

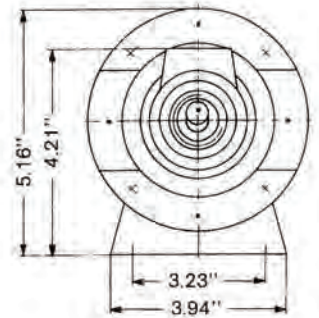
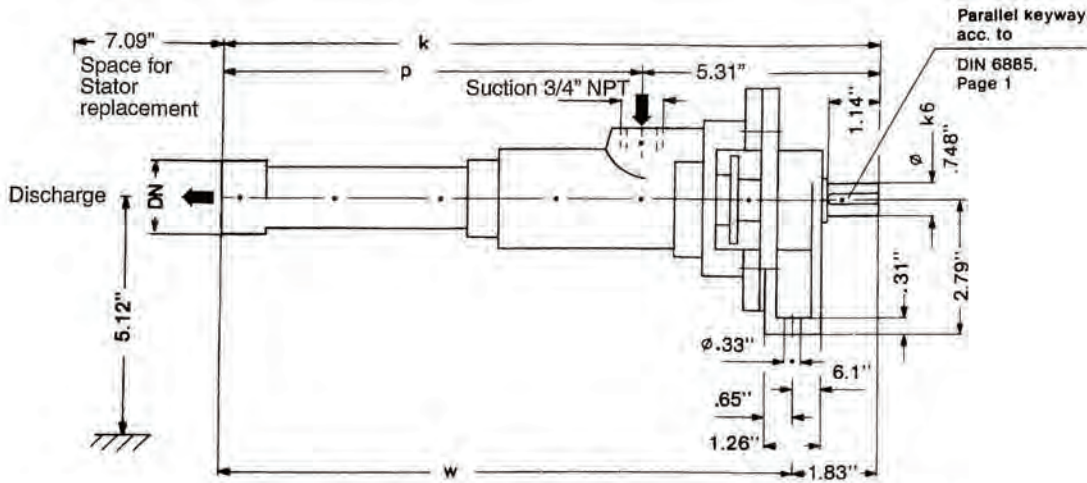
Click To Visit [www.libertyprocess.com](http://www.libertyprocess.com) >>



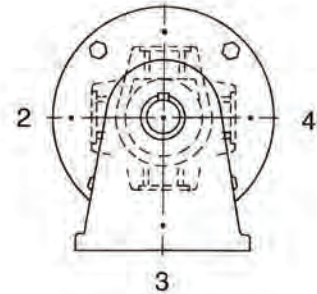
Liberty Process Equipment, Inc.  
2525 S Clearbrook Dr.  
Arlington Heights, IL 60005-4623  
P-(847) 640-7867  
F-(847) 640-7855  
sales@libertyprocess.com



# ADPL 1.50



Possible port positions looking from drive end  
1 = standard



Pump Size	Disch. DN	Pump dimensions			Weight Appr.				
		mm	k inches	mm	p inches	mm	w inches	kg	lbs.
0.4	NPT 1/2	343	/ 13.50"	208	/ 8.19"	296.5	/ 11.67"	3.3	7.3
0.8	NPT 3/4	368	/ 14.49"	233	/ 9.17"	321.5	/ 12.65"	3.5	7.7
1.5	NPT 1	399	/ 15.70"	264	/ 10.39"	352.5	/ 13.88"	3.8	8.4

① Minimum space to mounting surface with stuffing box versions, when connection NPT 3/4 horizontally (branch position 2 or 4).

# ADPL 1.50.3

Typical Performance Curve for water at 68 Deg. F.

Size - 1.5

Stage(s) - 3

Starting Torque = 1.7 to 3.4 ft. lb

Max Pres. = 175 PSI

RPM = 0-500

