

# Liberty LL8

## Progressive Cavity Pump

### Features

- \* Modular Design
- \* Maintenance Free
- \* Easy Assembly/Disassembly
- \* Simple Pin-Joint Connection
- \* Non-Pulsating Low Shear
- \* NPT Discharge Connection

### Pump Description

The Liberty LL8 Progressive Cavity Pump is an ideal unit for abrasive pumping applications like drilling mud, rendering plants and grease truck applications. Flow rate (11.7 gallons/100 revolutions) 15 up to 100 GPM.

The Liberty LL8 Series PC Pump is a standard flanged pump design manufactured with cast iron or 316 stainless steel pump casings and designed in 1, 2, and 3 stages for 75,150 and 225 psi discharge pressures.

The pump unit is a modular design with simple hardened pinned joint drive assembly. The LL8 Rotors are typically hardened tool steel or 316 stainless steel with a hard chrome plating for long life in abrasive pumping applications.

All other wetted parts are either carbon steel or 316 stainless steel. Stators are available in many elastomer materials such as buna, natural rubber, epdm and viton. The standard seal design is a set of gland packing with a lantern ring and flush connections. Mechanical seal options for this progressive cavity pump are readily available.

The Liberty unit is a low-cost, maintenance free, dependable drop-in replacement progressive cavity pump. The Liberty LL8 Progressive Cavity Pump parts are direct aftermarket progressive cavity pump part replacements that work with the Moyno™ L8 series, the Tarby™ TL8 series and Continental™ CL8 Series.

Contact a Liberty Process representative today for more information about the LL8 Series.

### Materials

**Rotor:** Tool Steel & Stainless Steel, Chrome-Plated

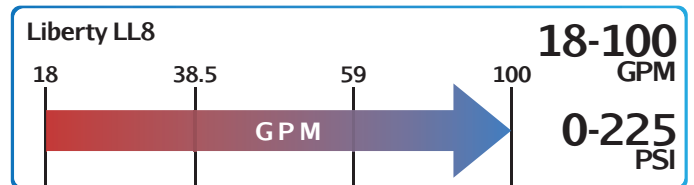
**Stator:** Buna, Rubber, Viton™, EPDM

**Motor:** 3, 5, 7.5, and 10 hp

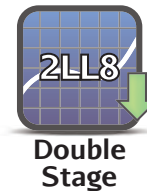
**Inlet:** 4"

**Outlet:** 4"

**Bases:** Carbon and Stainless Steel

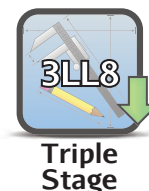
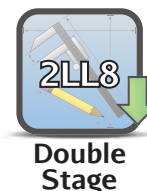


### Curves



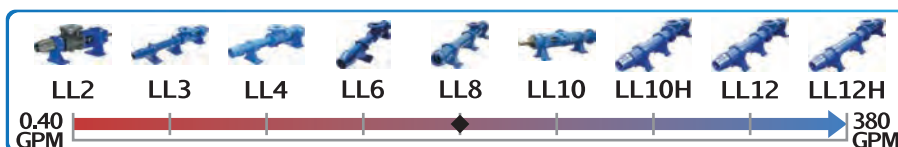
Please Click the Icon

### Drawings



Please Click the Icon

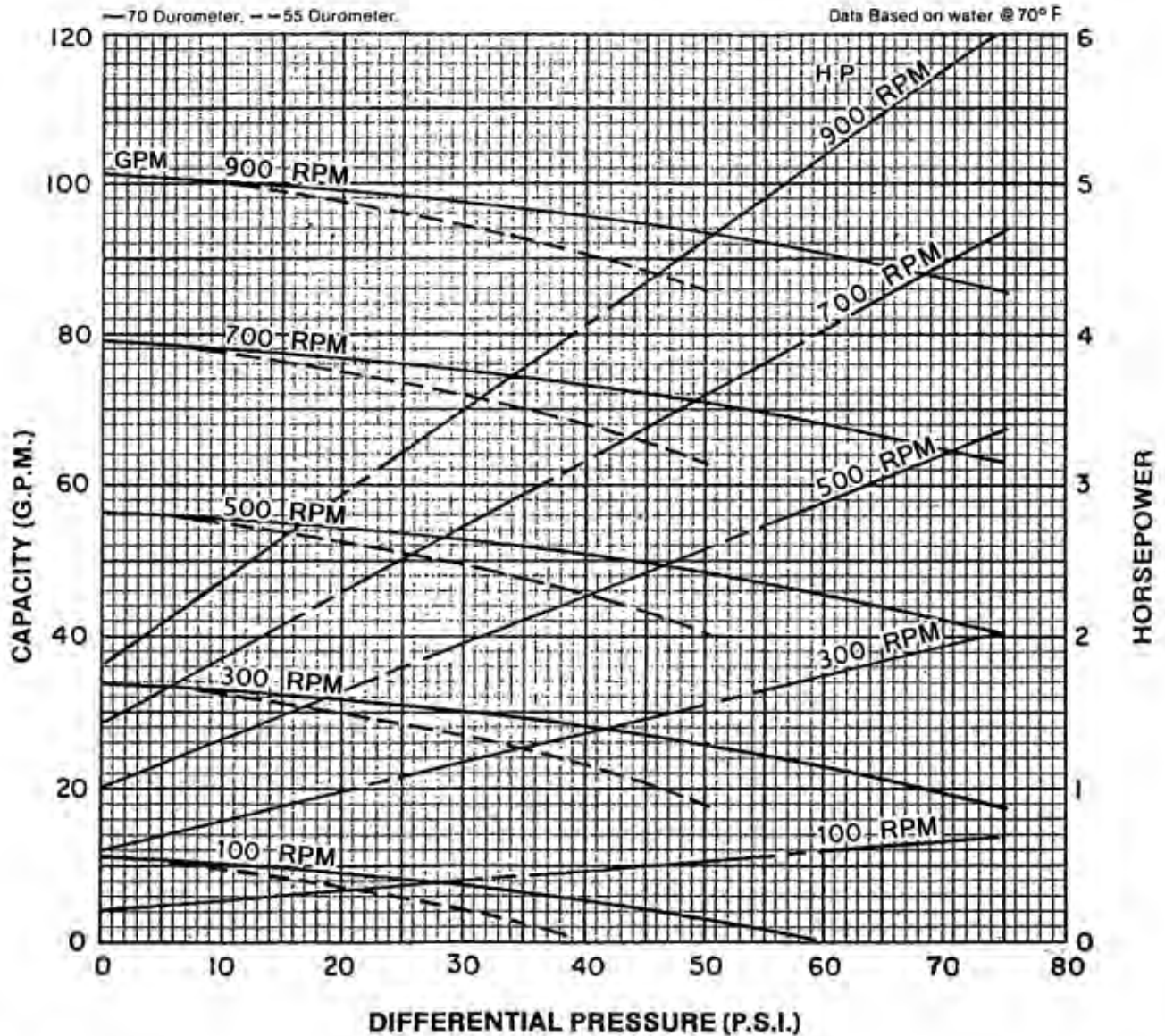
Click To Visit [www.libertyprocess.com](http://www.libertyprocess.com) >>



Liberty Process Equipment, Inc.  
 2525 S Clearbrook Dr.  
 Arlington Heights, IL 60005-4623  
 P-(847) 640-7867  
 F-(847) 640-7855  
 sales@libertyprocess.com

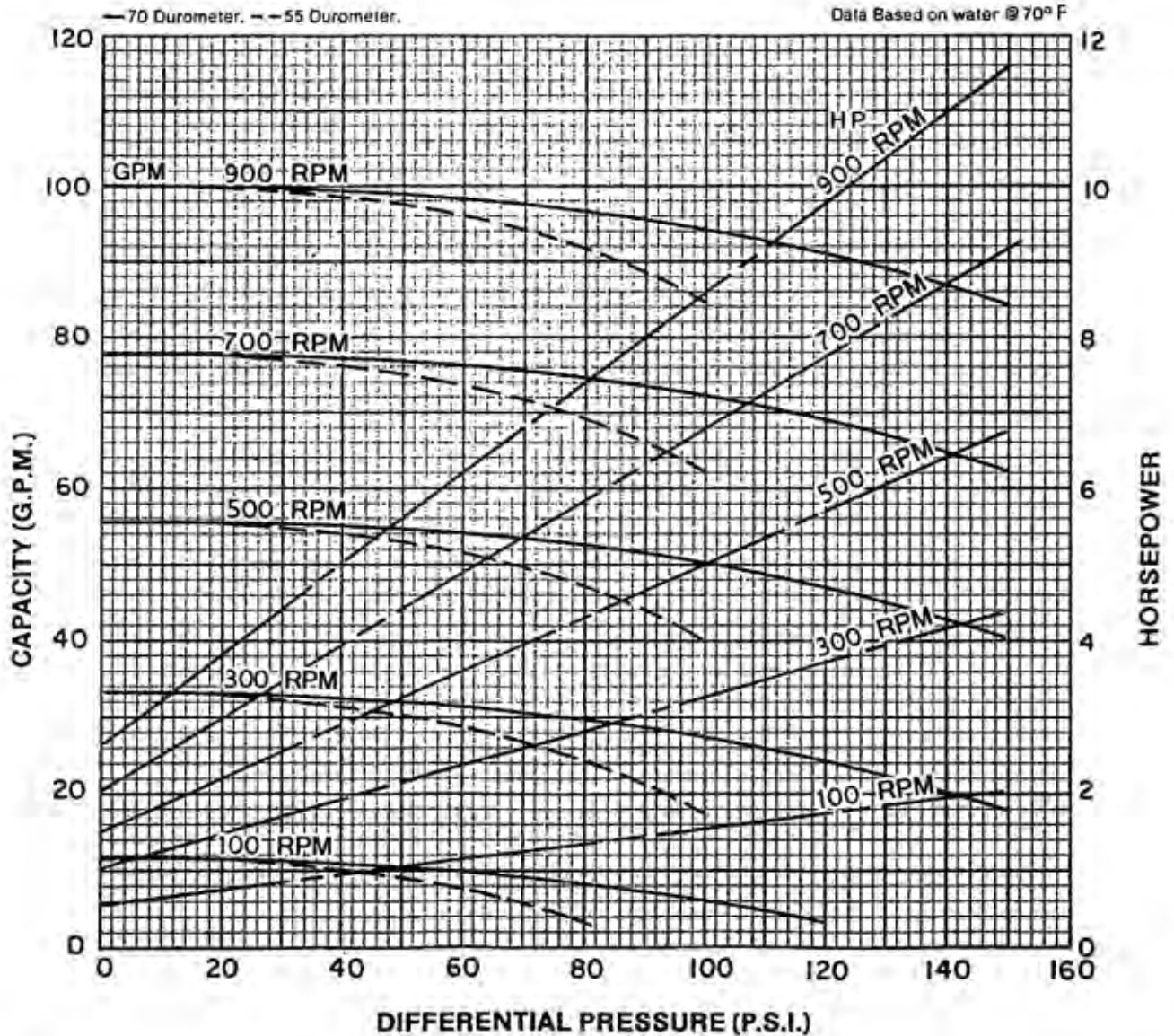
# Liberty 1LL8

RPM	100	300	500	700	900		
NPSH REQ'D	.8	2.2	3.7	6.9	10.5		
MIN. HP	1/2	1 1/2	2	3	5		



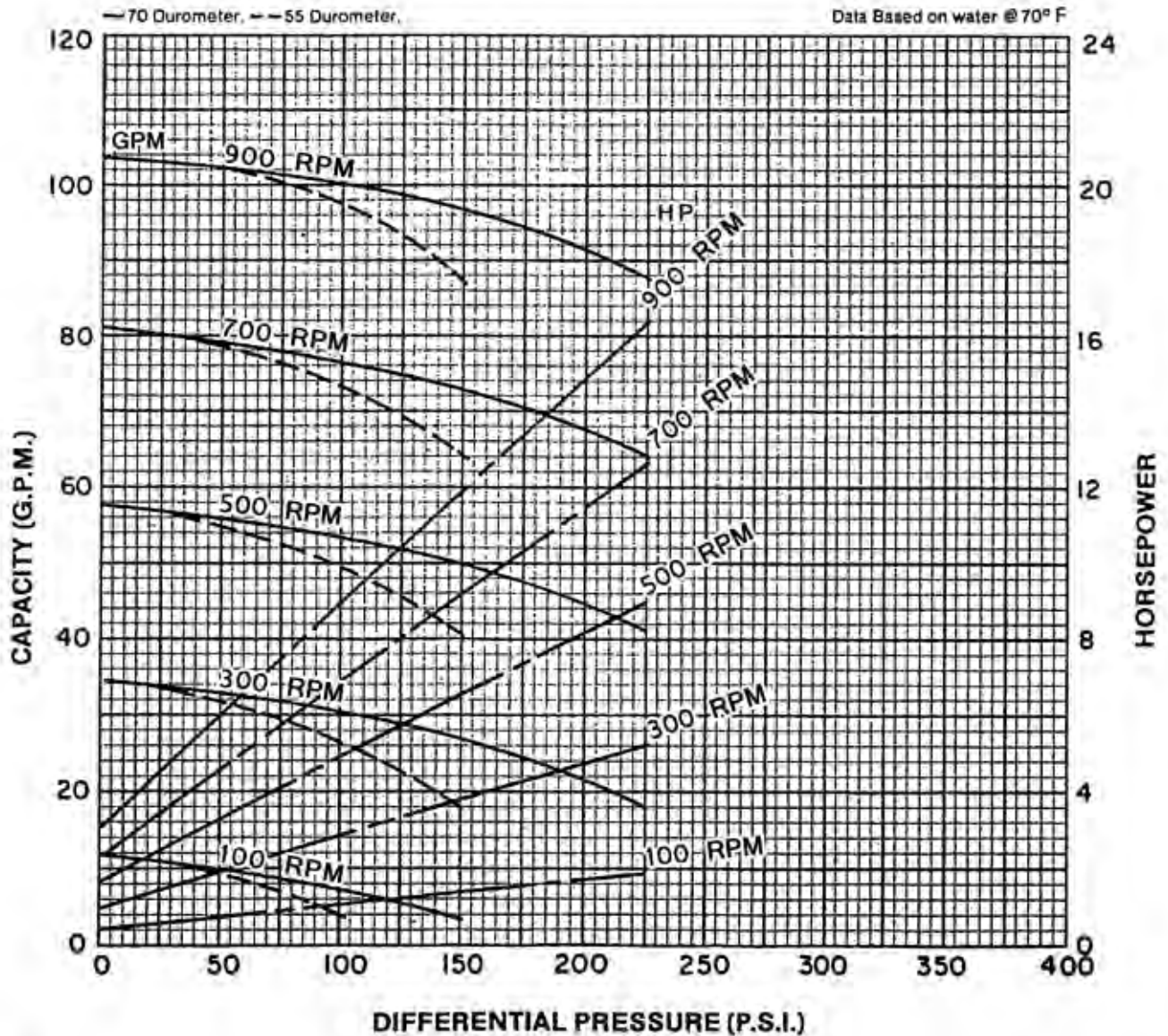
# Liberty 2LL8

RPM	100	300	500	700	900		
NPSH REQ'D	.8	2.2	3.7	6.9	10.5		
MIN. HP	1 1/2	3	5	7 1/2	7 1/2		



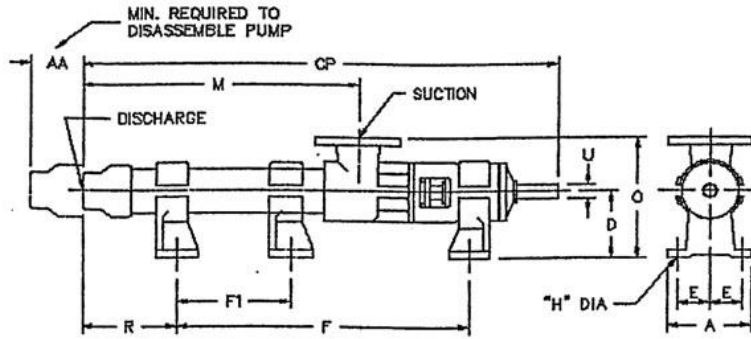
# Liberty 3LL8

RPM	100	300	500	700	900		
NPSH REQ'D	.8	2.2	3.7	6.9	10.5		
MIN. HP	2	5	7 1/2	10	10		





# Liberty Pump Series – Dimension Sheet



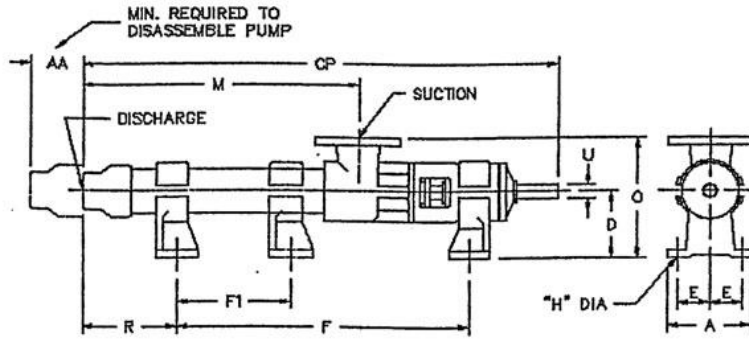
## Standard Pump Dimensions

Model	AA	CP	A	D	E	F	F1	H	M	O	R	U	Suct. Size	Disc. Size	Approx. Lbs.
2ML1	6.50	17.31	4.00	3.25	1.56	8.50	-	.37	7.62	5.88	4.56	.62	1.00	.75	22
3ML1	6.50	19.12	4.00	3.25	1.56	9.62	-	.37	9.44	5.88	5.25	.62	1.00	.75	24
6ML1	6.50	24.69	4.00	3.25	1.56	15.75	-	.37	15.00	5.88	4.69	.62	1.00	.75	30
1LL2	6.50	17.25	4.00	3.25	1.56	8.50	-	.37	7.56	5.88	4.50	.62	1.00	.75	22
2LL2	6.50	20.75	4.00	3.25	1.56	10.50	-	.37	11.06	5.88	6.00	.62	1.00	.75	25
3LL2	6.50	24.37	4.00	3.25	1.56	12.00	-	.37	14.69	5.88	8.12	.62	1.00	.75	31
6ML2	8.37	39.12	5.75	4.12	2.12	25.50	14.00	.44	26.50	7.31	7.94	.75	1.50	.75	55
1LL3	8.37	23.00	5.37	4.12	2.12	11.50	-	.44	10.37	7.31	5.81	.75	1.50	1.25	47
2LL3	8.37	28.31	5.37	4.12	2.12	13.00	-	.44	15.69	7.31	9.62	.75	1.50	1.25	51
3LL3	8.37	33.62	5.37	4.12	2.12	16.50	-	.44	21.00	7.31	11.44	.75	1.50	1.25	55
6ML3	11.37	54.62	7.00	5.50	2.75	37.50	22.00	.56	37.75	9.88	10.12	.94	2.50	1.25	105
1LL4	11.37	30.37	7.00	5.50	2.75	15.75	-	.56	13.50	9.88	7.62	.94	2.50	2.00	85
2LL4	11.37	37.44	7.00	5.50	2.75	22.00	-	.56	20.56	9.88	8.44	.94	2.50	2.00	91
3LL4	11.37	44.50	7.00	5.50	2.75	22.75	-	.56	27.62	9.88	14.75	.94	2.50	2.00	97
6ML4	14.25	71.25	8.62	6.25	3.50	45.00	25.00	.69	49.94	11.25	17.69	1.12	3.00	2.50	171
1LL6	14.25	39.37	8.62	6.25	3.50	20.00	-	.69	18.06	11.25	10.81	1.12	3.00	2.50	141
2LL6	14.25	50.00	8.62	6.25	3.50	26.00	-	.69	28.69	11.25	15.44	1.12	3.00	2.50	159
3LL6	14.25	60.62	8.62	6.25	3.50	38.00	18.00	.69	39.31	11.25	14.06	1.12	3.00	2.50	192
<b>1LL8</b>	<b>18.37</b>	<b>46.31</b>	<b>11.50</b>	<b>8.00</b>	<b>4.50</b>	<b>27.00</b>	-	<b>.88</b>	<b>20.50</b>	<b>14.00</b>	<b>10.06</b>	<b>1.37</b>	<b>4.00</b>	<b>4.00</b>	<b>303</b>
2LL8	18.37	58.75	11.50	8.00	4.50	32.00	-	.88	32.94	14.00	17.50	1.37	4.00	4.00	322
3LL8	18.37	71.12	11.50	8.00	4.50	49.00	24.00	.88	45.31	14.00	12.88	1.37	4.00	4.00	372
1LL10	31.88	53.62	11.50	9.75	4.50	30.00	-	.88	22.37	16.69	10.12	1.88	6.00	5.00	412
2LL10	31.88	64.00	11.50	9.75	4.50	35.50	-	.88	32.75	16.69	15.00	1.88	6.00	5.00	460
3LL10	31.88	74.37	11.50	9.75	4.50	48.00	18.00	.88	43.12	16.69	12.88	1.88	6.00	5.00	545
1LL10H	31.88	59.00	11.50	9.75	4.50	30.00	-	.88	27.75	16.69	15.50	1.88	6.00	5.00	424
2LL10H	31.88	74.37	11.50	9.75	4.50	48.00	18.00	.88	43.12	16.69	12.88	1.88	6.00	5.00	545
1LL12	37.75	70.19	14.50	12.50	6.31	37.50	-	1.00	31.44	21.00	14.69	2.25	8.00	6.00	880
2LL12	37.75	85.88	14.50	12.50	6.31	55.50	20.50	1.00	47.50	21.00	12.37	2.25	8.00	6.00	1075
3LL12	37.75	101.44	14.50	12.50	6.31	69.00	27.00	1.00	62.69	21.00	14.44	2.25	8.00	6.00	1200
1LL12H	37.75	78.00	14.50	12.50	6.31	42.00	-	1.00	39.25	21.00	18.00	2.25	8.00	6.00	945
2LL12H	37.75	101.44	14.50	12.50	6.31	69.00	27.00	1.00	62.69	21.00	14.44	2.25	8.00	6.00	1205

\*All listed dimensions in inches



# Liberty Pump Series – Dimension Sheet



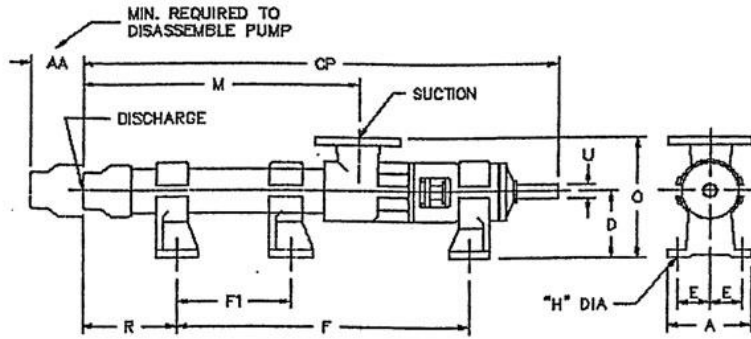
## Standard Pump Dimensions

Model	AA	CP	A	D	E	F	F1	H	M	O	R	U	Suct. Size	Disc. Size	Approx. Lbs.
2ML1	6.50	17.31	4.00	3.25	1.56	8.50	-	.37	7.62	5.88	4.56	.62	1.00	.75	22
3ML1	6.50	19.12	4.00	3.25	1.56	9.62	-	.37	9.44	5.88	5.25	.62	1.00	.75	24
6ML1	6.50	24.69	4.00	3.25	1.56	15.75	-	.37	15.00	5.88	4.69	.62	1.00	.75	30
1LL2	6.50	17.25	4.00	3.25	1.56	8.50	-	.37	7.56	5.88	4.50	.62	1.00	.75	22
2LL2	6.50	20.75	4.00	3.25	1.56	10.50	-	.37	11.06	5.88	6.00	.62	1.00	.75	25
3LL2	6.50	24.37	4.00	3.25	1.56	12.00	-	.37	14.69	5.88	8.12	.62	1.00	.75	31
6ML2	8.37	39.12	5.75	4.12	2.12	25.50	14.00	.44	26.50	7.31	7.94	.75	1.50	.75	55
1LL3	8.37	23.00	5.37	4.12	2.12	11.50	-	.44	10.37	7.31	5.81	.75	1.50	1.25	47
2LL3	8.37	28.31	5.37	4.12	2.12	13.00	-	.44	15.69	7.31	9.62	.75	1.50	1.25	51
3LL3	8.37	33.62	5.37	4.12	2.12	16.50	-	.44	21.00	7.31	11.44	.75	1.50	1.25	55
6ML3	11.37	54.62	7.00	5.50	2.75	37.50	22.00	.56	37.75	9.88	10.12	.94	2.50	1.25	105
1LL4	11.37	30.37	7.00	5.50	2.75	15.75	-	.56	13.50	9.88	7.62	.94	2.50	2.00	85
2LL4	11.37	37.44	7.00	5.50	2.75	22.00	-	.56	20.56	9.88	8.44	.94	2.50	2.00	91
3LL4	11.37	44.50	7.00	5.50	2.75	22.75	-	.56	27.62	9.88	14.75	.94	2.50	2.00	97
6ML4	14.25	71.25	8.62	6.25	3.50	45.00	25.00	.69	49.94	11.25	17.69	1.12	3.00	2.50	171
1LL6	14.25	39.37	8.62	6.25	3.50	20.00	-	.69	18.06	11.25	10.81	1.12	3.00	2.50	141
2LL6	14.25	50.00	8.62	6.25	3.50	26.00	-	.69	28.69	11.25	15.44	1.12	3.00	2.50	159
3LL6	14.25	60.62	8.62	6.25	3.50	38.00	18.00	.69	39.31	11.25	14.06	1.12	3.00	2.50	192
1LL8	18.37	46.31	11.50	8.00	4.50	27.00	-	.88	20.50	14.00	10.06	1.37	4.00	4.00	303
<b>2LL8</b>	<b>18.37</b>	<b>58.75</b>	<b>11.50</b>	<b>8.00</b>	<b>4.50</b>	<b>32.00</b>	-	<b>.88</b>	<b>32.94</b>	<b>14.00</b>	<b>17.50</b>	<b>1.37</b>	<b>4.00</b>	<b>4.00</b>	<b>322</b>
3LL8	18.37	71.12	11.50	8.00	4.50	49.00	24.00	.88	45.31	14.00	12.88	1.37	4.00	4.00	372
1LL10	31.88	53.62	11.50	9.75	4.50	30.00	-	.88	22.37	16.69	10.12	1.88	6.00	5.00	412
2LL10	31.88	64.00	11.50	9.75	4.50	35.50	-	.88	32.75	16.69	15.00	1.88	6.00	5.00	460
3LL10	31.88	74.37	11.50	9.75	4.50	48.00	18.00	.88	43.12	16.69	12.88	1.88	6.00	5.00	545
1LL10H	31.88	59.00	11.50	9.75	4.50	30.00	-	.88	27.75	16.69	15.50	1.88	6.00	5.00	424
2LL10H	31.88	74.37	11.50	9.75	4.50	48.00	18.00	.88	43.12	16.69	12.88	1.88	6.00	5.00	545
1LL12	37.75	70.19	14.50	12.50	6.31	37.50	-	1.00	31.44	21.00	14.69	2.25	8.00	6.00	880
2LL12	37.75	85.88	14.50	12.50	6.31	55.50	20.50	1.00	47.50	21.00	12.37	2.25	8.00	6.00	1075
3LL12	37.75	101.44	14.50	12.50	6.31	69.00	27.00	1.00	62.69	21.00	14.44	2.25	8.00	6.00	1200
1LL12H	37.75	78.00	14.50	12.50	6.31	42.00	-	1.00	39.25	21.00	18.00	2.25	8.00	6.00	945
2LL12H	37.75	101.44	14.50	12.50	6.31	69.00	27.00	1.00	62.69	21.00	14.44	2.25	8.00	6.00	1205

\*All listed dimensions in inches



# Liberty Pump Series – Dimension Sheet



### Standard Pump Dimensions

Model	AA	CP	A	D	E	F	F1	H	M	O	R	U	Suct. Size	Disc. Size	Approx. Lbs.
2ML1	6.50	17.31	4.00	3.25	1.56	8.50	-	.37	7.62	5.88	4.56	.62	1.00	.75	22
3ML1	6.50	19.12	4.00	3.25	1.56	9.62	-	.37	9.44	5.88	5.25	.62	1.00	.75	24
6ML1	6.50	24.69	4.00	3.25	1.56	15.75	-	.37	15.00	5.88	4.69	.62	1.00	.75	30
1LL2	6.50	17.25	4.00	3.25	1.56	8.50	-	.37	7.56	5.88	4.50	.62	1.00	.75	22
2LL2	6.50	20.75	4.00	3.25	1.56	10.50	-	.37	11.06	5.88	6.00	.62	1.00	.75	25
3LL2	6.50	24.37	4.00	3.25	1.56	12.00	-	.37	14.69	5.88	8.12	.62	1.00	.75	31
6ML2	8.37	39.12	5.75	4.12	2.12	25.50	14.00	.44	26.50	7.31	7.94	.75	1.50	.75	55
1LL3	8.37	23.00	5.37	4.12	2.12	11.50	-	.44	10.37	7.31	5.81	.75	1.50	1.25	47
2LL3	8.37	28.31	5.37	4.12	2.12	13.00	-	.44	15.69	7.31	9.62	.75	1.50	1.25	51
3LL3	8.37	33.62	5.37	4.12	2.12	16.50	-	.44	21.00	7.31	11.44	.75	1.50	1.25	55
6ML3	11.37	54.62	7.00	5.50	2.75	37.50	22.00	.56	37.75	9.88	10.12	.94	2.50	1.25	105
1LL4	11.37	30.37	7.00	5.50	2.75	15.75	-	.56	13.50	9.88	7.62	.94	2.50	2.00	85
2LL4	11.37	37.44	7.00	5.50	2.75	22.00	-	.56	20.56	9.88	8.44	.94	2.50	2.00	91
3LL4	11.37	44.50	7.00	5.50	2.75	22.75	-	.56	27.62	9.88	14.75	.94	2.50	2.00	97
6ML4	14.25	71.25	8.62	6.25	3.50	45.00	25.00	.69	49.94	11.25	17.69	1.12	3.00	2.50	171
1LL6	14.25	39.37	8.62	6.25	3.50	20.00	-	.69	18.06	11.25	10.81	1.12	3.00	2.50	141
2LL6	14.25	50.00	8.62	6.25	3.50	26.00	-	.69	28.69	11.25	15.44	1.12	3.00	2.50	159
3LL6	14.25	60.62	8.62	6.25	3.50	38.00	18.00	.69	39.31	11.25	14.06	1.12	3.00	2.50	192
1LL8	18.37	46.31	11.50	8.00	4.50	27.00	-	.88	20.50	14.00	10.06	1.37	4.00	4.00	303
2LL8	18.37	58.75	11.50	8.00	4.50	32.00	-	.88	32.94	14.00	17.50	1.37	4.00	4.00	322
<b>3LL8</b>	<b>18.37</b>	<b>71.12</b>	<b>11.50</b>	<b>8.00</b>	<b>4.50</b>	<b>49.00</b>	<b>24.00</b>	<b>.88</b>	<b>45.31</b>	<b>14.00</b>	<b>12.88</b>	<b>1.37</b>	<b>4.00</b>	<b>4.00</b>	<b>372</b>
1LL10	31.88	53.62	11.50	9.75	4.50	30.00	-	.88	22.37	16.69	10.12	1.88	6.00	5.00	412
2LL10	31.88	64.00	11.50	9.75	4.50	35.50	-	.88	32.75	16.69	15.00	1.88	6.00	5.00	460
3LL10	31.88	74.37	11.50	9.75	4.50	48.00	18.00	.88	43.12	16.69	12.88	1.88	6.00	5.00	545
1LL10H	31.88	59.00	11.50	9.75	4.50	30.00	-	.88	27.75	16.69	15.50	1.88	6.00	5.00	424
2LL10H	31.88	74.37	11.50	9.75	4.50	48.00	18.00	.88	43.12	16.69	12.88	1.88	6.00	5.00	545
1LL12	37.75	70.19	14.50	12.50	6.31	37.50	-	1.00	31.44	21.00	14.69	2.25	8.00	6.00	880
2LL12	37.75	85.88	14.50	12.50	6.31	55.50	20.50	1.00	47.50	21.00	12.37	2.25	8.00	6.00	1075
3LL12	37.75	101.44	14.50	12.50	6.31	69.00	27.00	1.00	62.69	21.00	14.44	2.25	8.00	6.00	1200
1LL12H	37.75	78.00	14.50	12.50	6.31	42.00	-	1.00	39.25	21.00	18.00	2.25	8.00	6.00	945
2LL12H	37.75	101.44	14.50	12.50	6.31	69.00	27.00	1.00	62.69	21.00	14.44	2.25	8.00	6.00	1205

\*All listed dimensions in inches