

Justice LJ10

Progressive Cavity Pump

Features

- * Large Hopper
- * Welded Auger
- * Hardened Joints
- * Packing or Mechanical Seal
- * 3-Stage Options
- * Steel or Stainless Steel

Pump Description

The Liberty Justice LJ10 Series Open Hopper Progressive Cavity Pump represents an ideal pumping solution for viscous solutions with high solids contents such as sewage and sewage sludge transfers at wastewater treatment facilities. Flow rates of 18.8 GPM/ per 100 Revolutions (52 GPM to 84 GPM) at 225 PSI are standard through the range of the series. The Justice Series offers a design of a heavy-duty auger mated to a rotor and stator for the most difficult pumping applications.

The large rectangular feed hopper design easily accommodates your pumping medium while the non-pulsating design of the product produces a low-shear flow that conveys your medium along effortlessly. Solids in suspension of up to 50% are accommodated by the Auger design.

The modular design of the Justice LJ10 Series Open Hopper Progressive Cavity pump is a hardened pinned-joint drive assembly with a body available in steel or 316 stainless steel and internal wetted components in either stainless steel or hardened tool steel with hard chrome plating for long-life and durability in abrasive pumping applications.

Rotors and Stators for the Justice LJ10 Series are available in 1, 2, and 3 stages for applications with 75, 150, and 225 PSI discharge pressures with stators available in Buna Nitrile, Viton™, EPDM and Natural Rubber. The standard seal design is a set of packing with a lantern ring and flush connections. Mechanical Seal options are readily available.

Contact a Liberty Process representative today for more information about the Justice Series

Materials

Rotor: Tool or Stainless Steel, Chrome-Plated

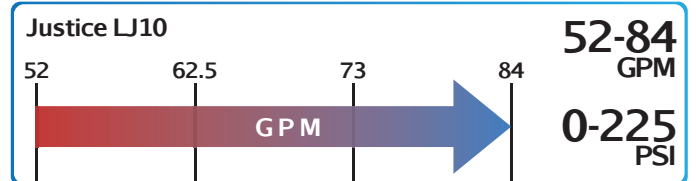
Stator: Buna, Rubber, Viton™, EPDM

Motor: 5, 10, 15, and 20 hp

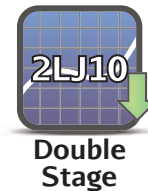
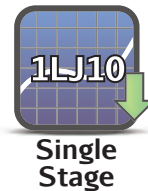
Inlet: 26" x 12"

Outlet: 5"

Bases: Steel and Stainless Steel

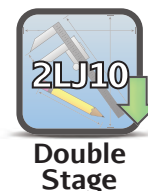


Curves



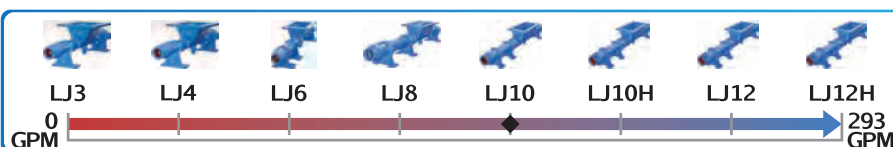
Please Click the Icon

Drawings



Please Click the Icon

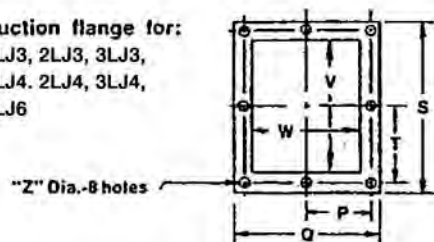
Click To Visit www.libertyprocess.com >>



Liberty Process Equipment, Inc.
2525 S Clearbrook Dr.
Arlington Heights, IL 60005-4623
P-(847) 640-7867
F-(847) 640-7855
sales@libertyprocess.com

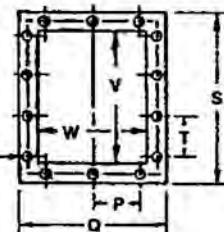
Type LJ

Suction flange for:
1LJ3, 2LJ3, 3LJ3,
1LJ4, 2LJ4, 3LJ4,
1LJ6

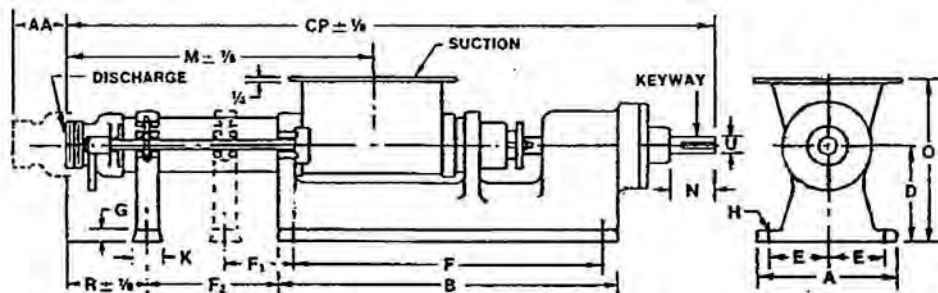


"Z" Dia.-8 holes

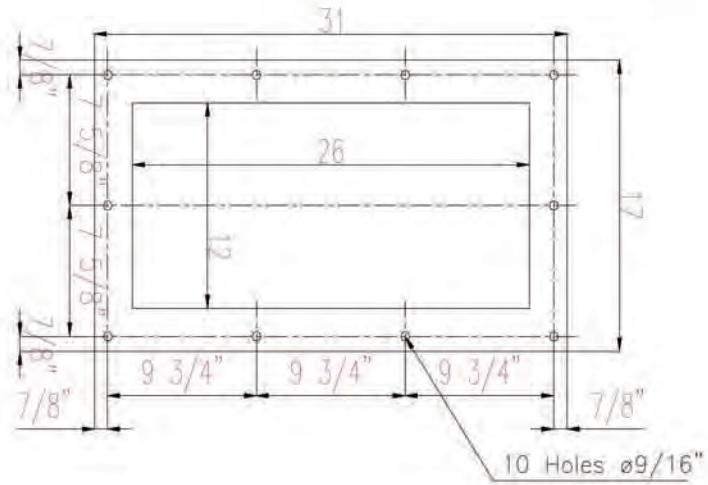
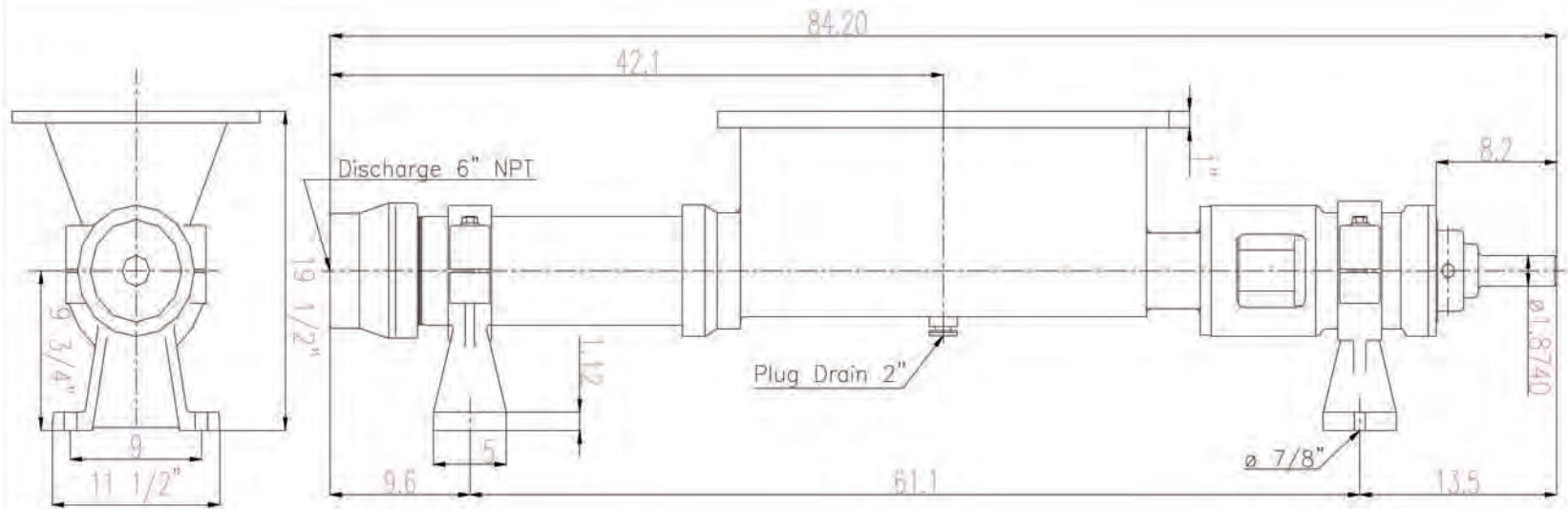
Suction flange for:
2LJ6, 3LJ6, 1LJ8, 2LJ8,
3LJ8, 1LJ10, 2LJ10,
1LJ10H, 2LJ10H, 1LJ12,
2LJ12, 1LJ12H, 2LJ12H



"Z" Dia.-14 holes



| Pump | AA | A | B | CP | D | E | F | F2 | G | H | K | M | N | O | P | Q | R | S | T | U | V | W | Z | Key | Disc | LBS. |
|--------|--------|-------|--------|---------|-------|-------|--------|----|-------|-------|-------|------------|-------|--------|-------|--------|-------------|--------|-------|-------|----|---|------|-------------|-------|------|
| 1LJ4 | 4 7/8 | 6 1/4 | 15 1/2 | 32 9/16 | 4 1/8 | 2 1/2 | 14 | 5 | 1/2 | 7/16 | 2 | 15 3/4 | 3 | 7 7/8 | 2 3/4 | 6 1/2 | 7 1/16 | 9 1/2 | 4 1/2 | 15/16 | 7 | 4 | 7/16 | 1/4 1/8 | 2 | 52 |
| 1LJ6 | 6 5/8 | 8 1/2 | 19 | 41 | 6 1/4 | 3 1/2 | 17 | 7 | 5/8 | 11/16 | 2 1/2 | 19 5/16 | 4 3/8 | 10 3/4 | 3 3/4 | 8 1/2 | 8 | 10 1/2 | 4 3/4 | 1 1/8 | 8 | 6 | 3/16 | 1/4 1/8 | 2 1/2 | 117 |
| 1LJ8 | 5/88 | 11 | 26 1/2 | 54 3/8 | 8 | 4 1/2 | 24 | 11 | 3/4 | 13/16 | 3 | 24 1/8 | 4 1/2 | 13 3/4 | 3 1/2 | 11 1/2 | 8 1/2 | 15 1/2 | 3 3/4 | 1 3/8 | 12 | 8 | 9/16 | 3/8 3/16 | 4 | 273 |
| 1LJ10 | 10 1/4 | 11 | 29 1/4 | 60 5/16 | 9 3/4 | 4 1/2 | 26 1/4 | 12 | 1 1/8 | 13/16 | 3 | 27 7/8 | 5 | 15 1/2 | 4 | 12 1/2 | 10 9/16 | 16 1/2 | 4 | 1 7/8 | 13 | 9 | 9/16 | 1/2x 1/4 | 4 | 535 |
| 1LJ10H | 10 1/4 | 11 | 29 1/4 | 60 9/16 | 9 3/4 | 4 1/2 | 26 1/4 | 12 | 1 1/8 | 13/16 | 3 | 28 1/8 | 5 | 15 1/2 | 4 | 12 1/2 | 10 16/16 | 16 1/2 | 4 | 1 7/8 | 13 | 9 | 9/16 | 1/2 1/4 | 4 | 535 |

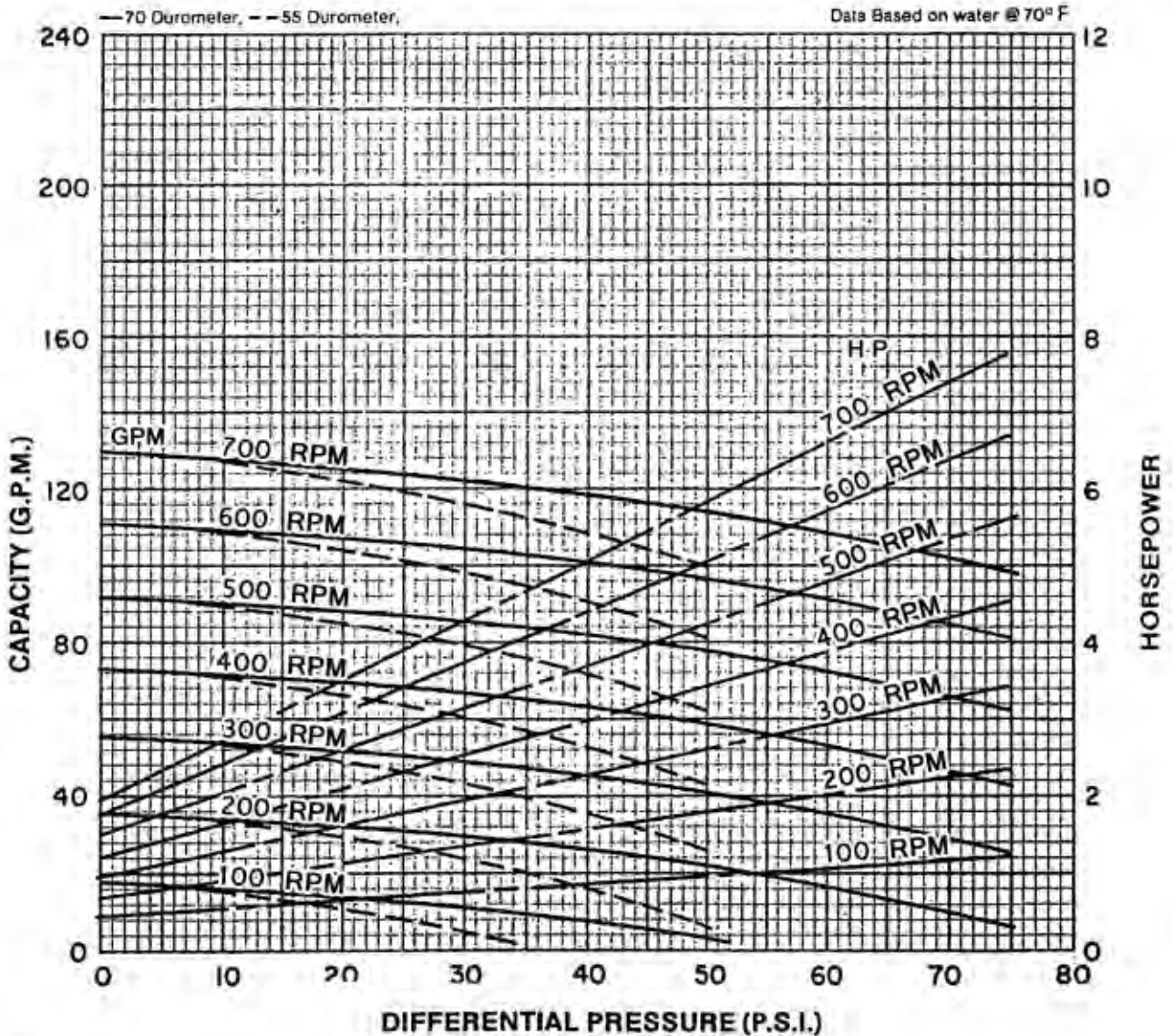


| | | | | | |
|--------------------|----------|----------|------------|-------------|--|
| 00 | 10/01/03 | MFP | NGC | | LIBERTY PROCESS Arlington Heights, IL |
| Rev | Date | Drawn by | Checked by | Approved by | Part Code: *** |
| Scale 1:5 | | | | | Dwg N°: 2501 |
| Toler: +5 -5 | | | | | Page: 01 of: 01 |

FRAME: 2TJ10 Pump
TYPE: -CDQ-

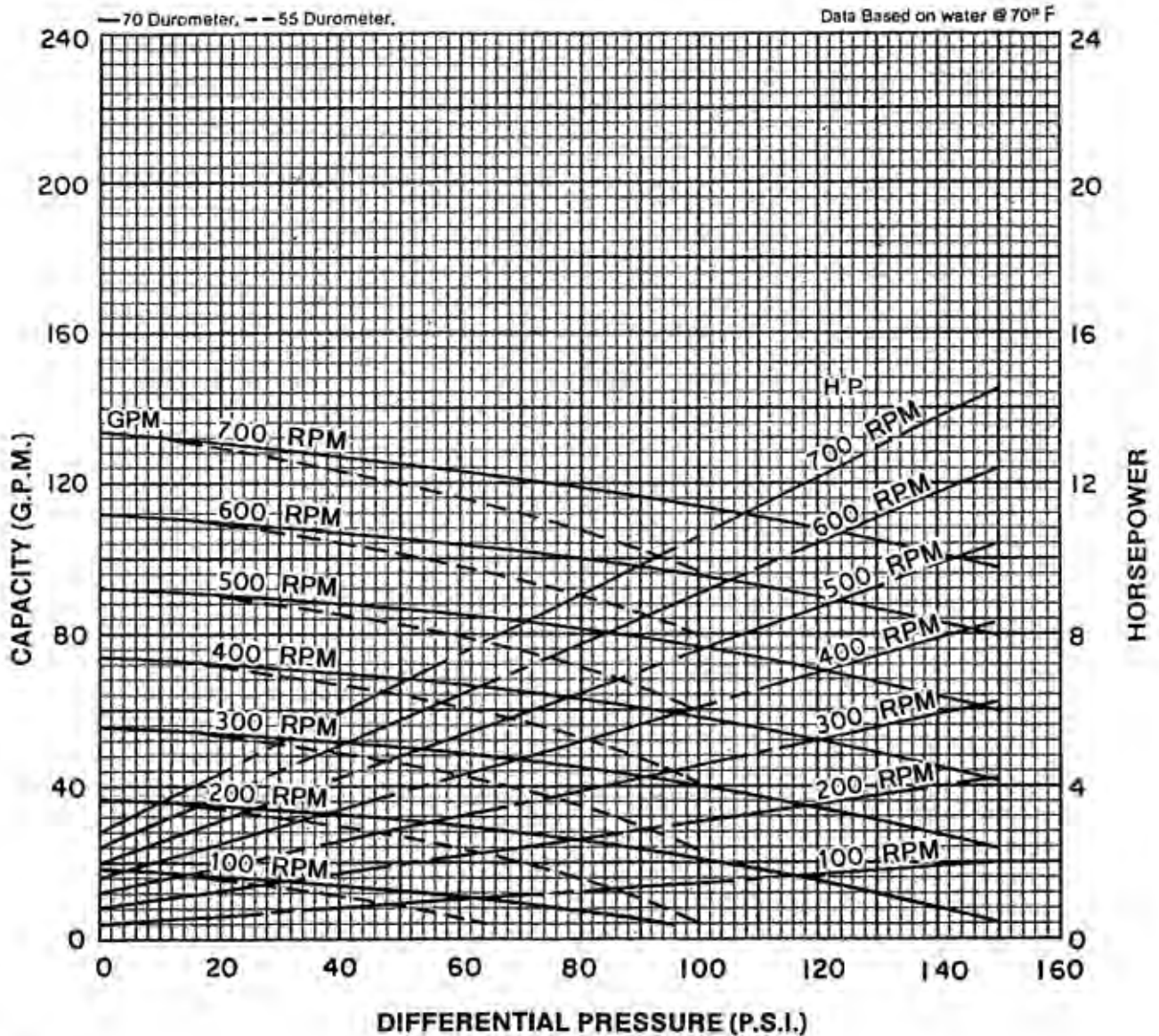
Justice 1LJ10

| | | | | | | | |
|------------|-----|-----|-----|-----|-----|-----|-----|
| RPM | 100 | 200 | 300 | 400 | 500 | 600 | 700 |
| NPSH REQ'D | .9 | 1.7 | 2.6 | 3.5 | 4.9 | 6.9 | 9.1 |
| MIN. HP | 1 | 1½ | 2 | 3 | 5 | 5 | 5 |



Justice 2LJ10

| | | | | | | | |
|------------|-------|-----|-----|-----|-------|-------|-----|
| RPM | 100 | 200 | 300 | 400 | 500 | 600 | 700 |
| NPSH REQ'D | .9 | 1.7 | 2.6 | 3.5 | 4.9 | 6.9 | 9.1 |
| MIN. HP | 1 1/2 | 2 | 3 | 5 | 7 1/2 | 7 1/2 | 10 |



Justice 3LJ10

| | | | | | | | |
|------------|-----|-----|-----|-----|-----|-----|-----|
| RPM | 100 | 200 | 300 | 400 | 500 | 600 | 700 |
| NPSH REQ'D | 9 | 1.7 | 2.6 | 3.5 | 4.9 | 6.9 | 9.1 |
| MIN. HP | 2 | 3 | 5 | 7½ | 10 | 10 | 15 |

