

WEBSTER™

JB SERIES BURNERS

10 to 300
Boiler HP Range

*Leading
The Way
in Efficiency,
Reliability
& Safety*



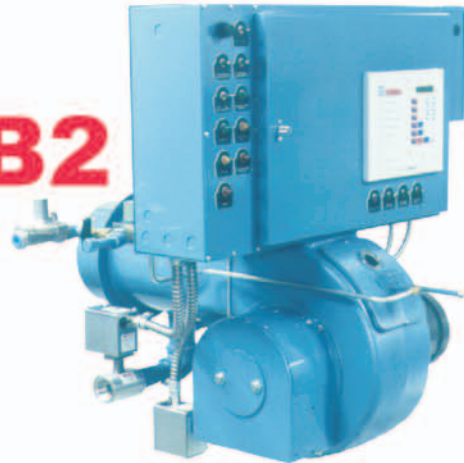
The Leader in Combustion Innovation

JB SERIES

JB1



JB2



The Webster JB Series burner has been successfully applied to virtually every boiler; indirect fired air heater, and many process applications. Reliable start up first time, every time. Webster is the only burner manufacturer with the Purlite ignition system. Webster's commitment to continuous improvement with ongoing Research and Development ensures that every burner is the best possible for each application.

Wide variety of burner options for Cast Iron, Fire-Tube, Fire-Box, Water-Tube and process applications.

JB3



Available in linkage or linkageless arrangements, the JB burner is engineered for maximum combustion efficiency combined with the lowest possible electrical consumption. Webster burners have been engineered for easy servicing and trouble-free operation.

WEBSTER™

ENGINEERING & MANUFACTURING CO., LLC

619 Industrial Road • Winfield, Kansas 67156

Phone 1-620-221-7464 • FAX 1-620-221-9447

email: sales@webster-engineering.com

See Our Web Page: www.webster-engineering.com

PosiControl System

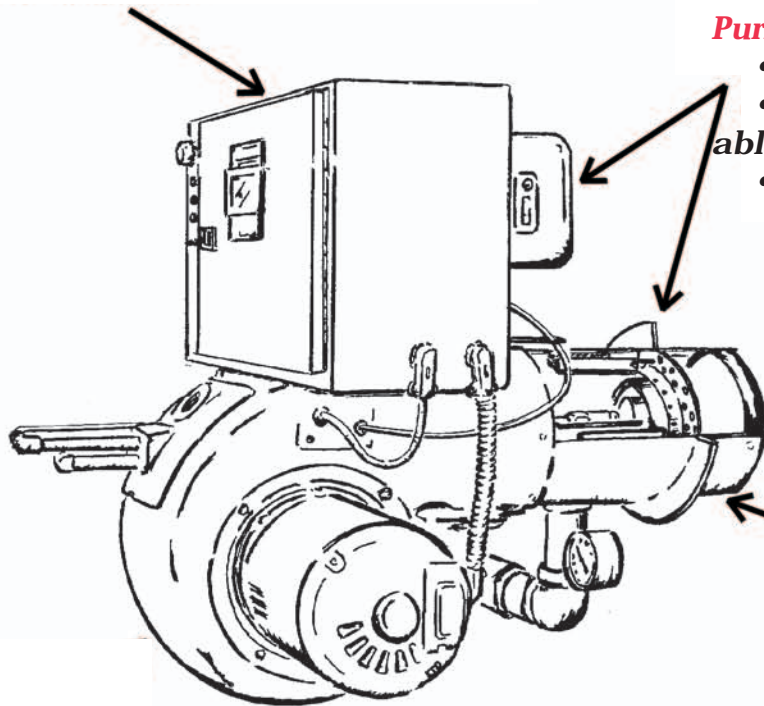
- *Optional linkageless control system*
- *Increased efficiency - No linkage hysteresis*
- *Repeatability of fuel to air ratio*
- *Tamper proof operation*

Custom Control Panel

- *Configurations to meet your needs*
- *Nema 1, 4, and 12 available*
- *Burner Mounted standard - Remote Panel optional*

Purlite Ignition System

- *Lights every time*
- *Field proven most stable pilot available*
- *Uses 6000 volt transformer*



Cyclonetic Combustion Head

- *Outstanding flame stability*
- *High combustion efficiency*
- *Variety of nose lengths for most*

- *Reduced noise levels*
- *UL & ULC Listed*
- *Compact design*

Factory Tested

- *Assurance of quality*
- *Saves field start up time*
- *Test report ships with burner*

MAXIMUM INPUT CAPACITY RATINGS--JB MODELS 1, 2 AND 3

BURNER MODEL	GAS	LIGHT OIL	HEAVY OIL	BOILER HP
	MBH	GPH	GPH	OUTPUT
1	2500	17.8	N/A	60
2	6000	42.8	N/A	142
3	12600	90	84	300

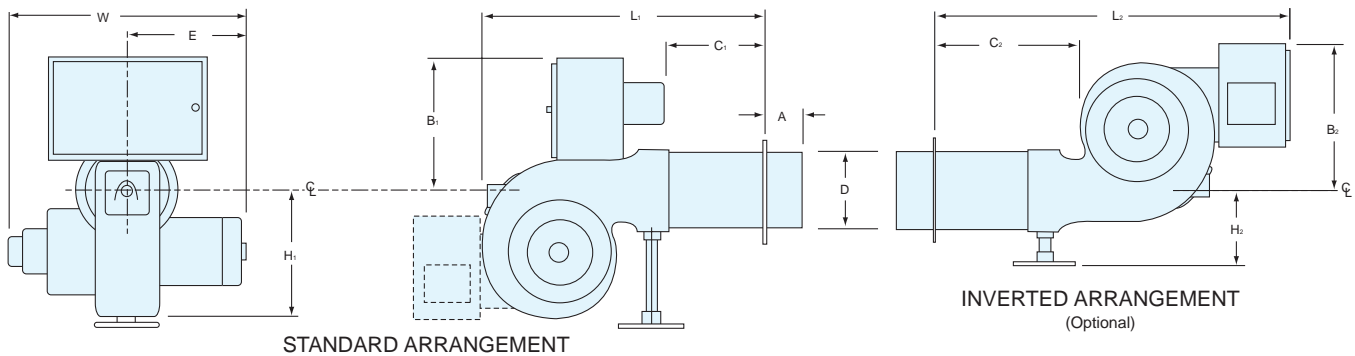
INPUT CAPACITIES BASED UPON:

- 1000 feet above sea level. Capacity will decrease 4.0% for each additional 1000 feet of elevation.
- -0.01" W.C. furnace draft. Capacity decreases with pressurized furnace 1.5% for each 0.25" W.C. in furnace combustion chamber pressure.
- Output BHP equivalent ratings based on operation of 80% combustion efficiency.
- Gas input based on 1000 BTU/cubic foot and 0.64 specific gravity.
- Oil input based on 140,000 BTU/gallon light oil and 150,000 BTU/gallon heavy oil.

TYPICAL DIMENSIONS FOR MODEL JB1, 2 AND 3 -- INCHES

MODEL	A	B ₁	B ₂	C ₁	C ₂	D	E	H ₁	H ₂	*L ₁	L ₂	W
1	4	18 3/8	18 3/8	9	14 3/8	7 1/4	11 7/16	15 11/16	11 3/8	25 1/2	36 15/16	21 7/8
2	4	19 1/6	18 1/2	9 15/16	14	9 1/8	17 3/4	19	12 1/8	28 5/8	39 1/4	30 11/16
3	4	19 15/16	19 9/16	15 15/16	19 1/4	11 1/4	20 5/16	22 11/16	14 3/4	37 13/16	47 1/2	29 1/2

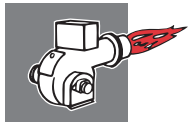
*Add 14" to Dimension L₁ for heavy oil burners. Use Dimension L₂ for alternate control cabinet location.



NOTE: DIMENSIONS WILL VARY WITH OPTIONAL CONTROL AND SYSTEM ARRANGEMENTS.

WEBSTER CAPABILITIES: A wide variety of options are available for controls (parallel positioning, flame safeguard and annunciation), fuels (propane and digester gas), emissions (with and without FGR), fuel trains and control panel location (top, back and remote panels).

OTHER BURNER MODELS: Webster offers the EJB (400 to 2500 MBH input), HDRV (12,600 to 40,000 MBH), HDS (8400 - 42,000 MBH, low NOx and high turndown) and HDRF (12,500 to 200,000 MBH) series.



WEBSTER™

ENGINEERING & MANUFACTURING CO., LLC

619 Industrial Road • Winfield, Kansas 67156

Phone 1-620-221-7464 • FAX 1-620-221-9447

email: sales@webster-engineering.com

See Our Web Page: www.webster-engineering.com

Represented by: