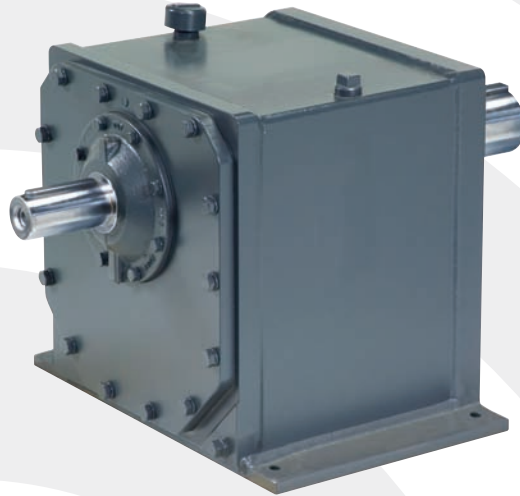




## Falk™ UltraMax® – A Practical Alternative for Both Gearmotor & Parallel Shaft Drives



### UltraMax Smart Features

The fight for productivity has a brand new contender: the Falk UltraMax. The UltraMax drive delivers all the performance of a parallel shaft gear drive, with the economy of a gearmotor.

Designed to meet the tough challenges of medium and heavy-duty concentric gear drive operation, UltraMax gives you everything you choose Rexnord® equipment for – outstanding design, durability, long life, easy maintenance, and overall efficiency.

UltraMax comes in ten sizes, with an output torque range of 282 Nm through 67 800 Nm, or 2500 lb.-in. through 600,000 lb.-in.

With UltraMax, you get more power for your dollar, with savings of up to 30% over a comparably rated parallel shaft gear drive.

And, as always, when you team up with Rexnord, you are assured of application and delivery assistance, backed up by service and support where and when you need it.

UltraMax can be used in high torque applications that once required more expensive parallel-shaft drives. Tough and versatile, the compact,

### Parallel Shaft Performance Meets Gearmotor Economy in UltraMax, the Perfect Concentric Alternative

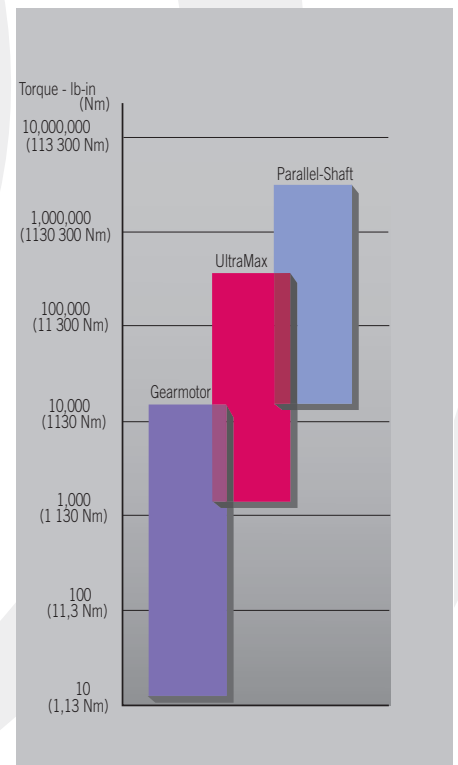
long-lasting UltraMax offers a fully-featured concentric design that works in today's global markets.

A competitive price and performance related cost savings give UltraMax bottom-line appeal.

### Optimized Design

The UltraMax incorporates the latest in design technology. With its high torque density, UltraMax is the right choice for new applications.

And users with Falk's 1000F concentric drive in existing applications will appreciate the drop-in interchangeability the UltraMax offers.



## Features & Benefits

### Superior Availability

UltraMax delivers the power and reliability of a parallel shaft drive with the availability of a gearmotor.

With Rexnord's local Finished Assembly Program, Rexnord® distributors can build and ship finished UltraMax® drives within hours.

And the large UltraMax inventory at regional Rexnord Distribution Centers ensures quick delivery regardless of size, ratio, or accessories.

### Life Extending Extras

- Rugged tapered roller bearings at all locations provide load-carrying capacity superior to ball bearings.
- An automotive-type dipstick makes oil checks easy.
- Grease-purgeable seal cavities at all seal locations protect the seals from grit and abrasives that deteriorate sealing.
- Optional Viton® seals are available for severe duty applications.

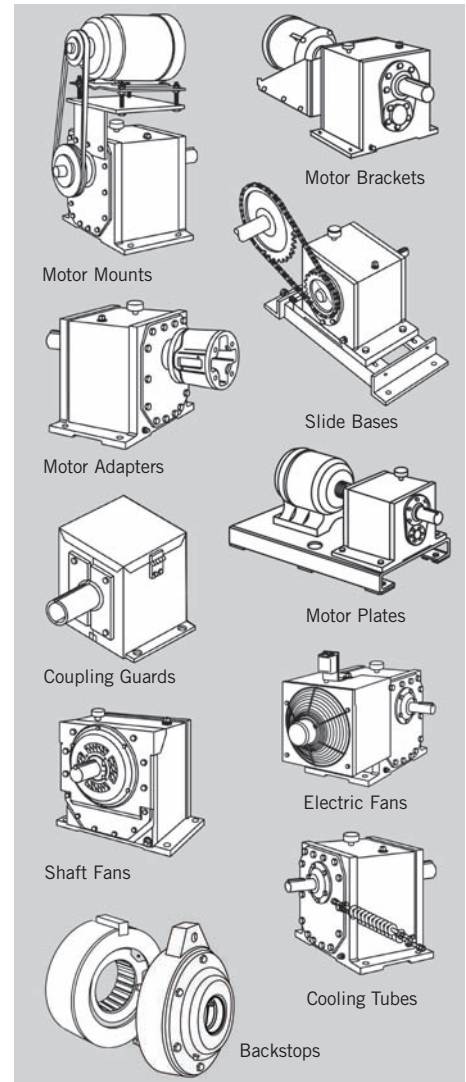
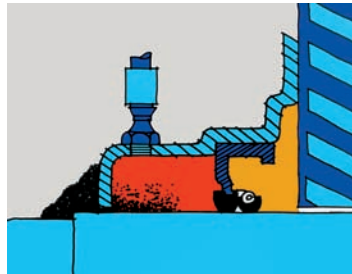
### Full Accessory Package

Economical integral backstops, slide bases, and motor plates are available. Efficient shaft driven cooling fans, electric fans, or cooling tubes can be specified as needed.

### World-Wide Application

UltraMax is designed for worldwide use. Shaft extensions and keyways are available in Inch or Metric dimensions.

Economical, pre-engineered accessories such as motor brackets, motor mounts and flanged motor adapters are readily available to suit both NEMA and IEC frame motors.



## WORLDWIDE CUSTOMER SERVICE

### AUSTRALIA

Rexnord Australia Pty. Ltd.  
Picton, New South Wales  
Phone: 61-2-4677-3811  
Fax: 61-2-4677-3812

Falk-Rexnord Australia Pty Ltd  
Broadmeadow NSW Australia  
Phone: 61-2-4962-8000  
Fax: 61-2-4962-8001

### BRAZIL

Rexnord Correntes Ltda.  
Sao Leopoldo - RS  
Phone: 55-51-579-8022  
Fax: 55-51-579-8029

### CANADA

Rexnord Canada Ltd.  
Scarborough, Ontario  
Phone: 1-416-297-6868  
Fax: 1-416-297-6873

### CHINA

Rexnord China  
Shanghai, China  
Phone: 86-21-62701942  
Fax: 86-21-62701943

### EUROPE

Rexnord NV/SA  
Mechelen, Belgium  
Phone: 32-15-443811  
Fax: 32-15-443860

Rexnord Kette GmbH  
Betzdorf, Germany  
Phone: 49-2741-2840  
Fax: 49-2741-284-385

### LATIN AMERICA

Rexnord International, Inc.  
Milwaukee, Wisconsin  
Phone: 1-414-643-2366  
Fax: 1-414-643-3222  
E-mail: international2@rexnord.com

### MEXICO

Rexnord S. A de C V  
Mexico DF, Mexico  
Phone: 52-55-9140-3500  
Fax: 52-55-9140-3550

### SINGAPORE

Rexnord International, Inc.  
Singapore City, Singapore  
Phone: 65-6338-5622  
Fax: 65-6338-5422

### UNITED STATES

Customer Service  
Phone: 1-866-REXNORD  
(1-866-739-6673)  
E-mail: rexnord(state)@rexnord.com  
Example: rexnordohio@rexnord.com

### ALL COUNTRIES NOT LISTED

Rexnord International  
Milwaukee, Wisconsin  
Phone: 1-414-643-2366  
Fax: 1-414-643-3222  
E-mail: international1@rexnord.com