

STAINLESS STEEL CONDENSATE RETURN UNITS

BSI Mechanical, Inc.



HIGH QUALITY STAINLESS STEEL EXCEPTIONAL VALUE, EXTRAORDINARY QUALITY

BSI SS-C Stainless Steel Condensate Return Units from BSI Mechanical offer the best materials available for long life. Tanks have a 20 year warranty against corrosion and are made from 12 gauge 304 SS with internal ribbing where needed for excellent strength. Available in five standard sizes; 12,25,45, 70 and 100 gallon capacities (custom sizes and configurations as required); tanks only, and in simplex or duplex pump configuration. Compact dimensions and light weight make it a simple task to replace your old cast iron unit. System accessories are of the highest quality. These tanks are made to fit many other brands of vertical flange mount pumps. Be sure to see our Aero Pumps for a complete system.

Pumps are made of investment cast stainless steel. The single stage impeller is of semi-open design allowing for occasional pumping of small solids without clogging. Pump is externally adjustable to like new performance should wear ever occur. Pump is permanently aligned to the electric motor,

never requiring alignment at the job sight. Pumps are furnished with 250°F mechanical seals, and are equipped with a seal cavity bleed line to keep the seal lubricated and minimize the probability of premature seal failure. Pump discharge openings are NPT.

Standard motors are: three phase- 208/230/460 V TEFC, Single phase -115/208/230 V ODP. Other voltages are available on request. Other motors available are explosion proof, wash down duty, premium efficiency, and any other motor available with a 56C frame.

Motor/pump controls available for simplex, duplex, triplex, and quadplex, in single phase, or three phase with a limitless array of available options for any requirement. Nema 1 is standard enclosure. All other enclosure available.

SIMPLEX & DUPLEX TANK/PUMP SELECTION GUIDE

TANK SIZE	EDR (SQ. FT.)	GPM	PSIG	MOTOR HP	SIMPLEX MODEL	SIMPLEX MODEL	DUPLEX MODEL	DUPLEX MODEL
					NUMBER THREE PHASE	NUMBER SINGLE PHASE	NUMBER THREE PHASE	NUMBER SINGLE PHASE
12	4000	6	10	1/3	12S10C4AB3	12S10C4AB1	12D10C4AB3	12D10C4AB1
			20	1/3	12S20C4AB3	12S20C4AB1	12D20C4AB3	12D20C4AB1
			25	1/2	12S25C4AB3	12S25C4AB1	12D25C4AB3	12D25C4AB1
			30	3/4	12S30C5AB3	12S30C5AB1	12D30C5AB3	12D30C5AB1
			40	1	12S40C5AB3	12S40C5AB1	12D40C5AB3	12D40C5AB1
	6000	9	50	1 1/2	12S50C6AB3	12S50C6AB1	12D50C6AB3	12D50C6AB1
			10	1/3	12S10C4AB3	12S10C4AB1	12D10C4AB3	12D10C4AB1
			20	1/3	12S20C4AB3	12S20C4AB1	12D20C4AB3	12D20C4AB1
			25	1/2	12S25C4AB3	12S25C4AB1	12D25C4AB3	12D25C4AB1
			30	1	12S30C5AB3	12S30C5AB1	12D30C5AB3	12D30C5AB1
25	10000	15	40	1 1/2	12S40C6AB3	12S40C6AB1	12D40C6AB3	12D40C6AB1
			50	1 1/2	12S50C6AB3	12S50C6AB1	12D50C6AB3	12D50C6AB1
			10	1/3	25S10C4AB3	25S10C4AB1	25D10C4AB3	25D10C4AB1
			20	1/2	25S20C4AB3	25S20C4AB1	25D20C4AB3	25D20C4AB1
			25	1/2	25S25C4BC3	25S25C4BC1	25D25C4BC3	25D25C4BC1
	15000	22.5	30	1	25S30C5BC3	25S30C5BC1	25D30C5BC3	25D30C5BC1
			40	1 1/2	25S40C5BC3	25S40C5BC1	25D40C5BC3	25D40C5BC1
			50	2	25S50C6BC3	25S50C6BC1	25D50C6BC3	25D50C6BC1
			10	1/3	25S10C4AB3	25S10C4AB1	25D10C4AB3	25D10C4AB1
			20	1/2	25S20C4AB3	25S20C4AB1	25D20C4AB3	25D20C4AB1
45	20000	30	25	1	25S25C5BC3	25S25C5BC1	25D25C5BC3	25D25C5BC1
			30	1 1/2	25S30C5BC3	25S30C5BC1	25D30C5BC3	25D30C5BC1
			40	2	25S40C6BC3	25S40C6BC1	25D40C6BC3	25D40C6BC1
			10	1/2	45S10C4BC3	45S10C4BC1	45D10C4BC3	45D10C4BC1
			20	3/4	45S20C4CD3	45S20C4CD1	45D20C4CD3	45D20C4CD1
	25000	37.5	25	1 1/2	45S25C5BC3	45S25C5BC1	45D25C5BC3	45D25C5BC1
			30	1 1/2	45S30C5CD3	45S30C5CD1	45D30C5CD3	45D30C5CD1
			40	3	45S40C6BC3	---	45D40C6BC3	---
			10	1/2	45S10C4CD3	45S10C4CD1	45D10C4CD3	45D10C4CD1
			20	3/4	45S20C4CD3	45S20C4CD1	45D20C4CD3	45D20C4CD1
30000	45	25	1 1/2	45S25C5BC3	45S25C5BC1	45D25C5BC3	45D25C5BC1	
		30	2	45S30C5CD3	45S30C5CD1	45D30C5CD3	45D30C5CD1	
		40	3	45S40C6BC3	---	45D40C6BC3	---	
		10	1/2	45S10C4CD3	45S10C4CD1	45D10C4CD3	45D10C4CD1	
		20	3/4	45S20C4CD3	45S20C4CD1	45D20C4CD3	45D20C4CD1	
70	40000	60	25	2	70S25C5CD3	70S25C5CD1	70D25C5CD3	70D25C5CD1
			30	2	70S30C5CD3	70S30C5CD1	70D30C5CD3	70D30C5CD1
			10	3/4	70S10C4DE3	70S10C4DE1	70D10C4DE3	70D10C4DE1
	50000	70	20	1	70S20C4EF3	70S20C4EF1	70D20C4EF3	70D20C4EF1
			25	2	70S25C5CD3	70S25C5CD1	70D25C5CD3	70D25C5CD1
			100	60000	90	15	1	100S15C4EF3

Standard unit includes SS tank complete with flange mounted SS pump close coupled to motor of HP shown 115/208-230V/1/60 or 208-230/460v/3/60 3450 RPM ODP. Simplex unit has NEMA 1 float switch and duplex has NEMA 1 alternating float switch. Sight Glass is standard.

Available motor options are: TEFC, washdown duty, & explosion proof motors.

Additional Accessories: Thermometer, Nema 4 electrics, Isolation valves.

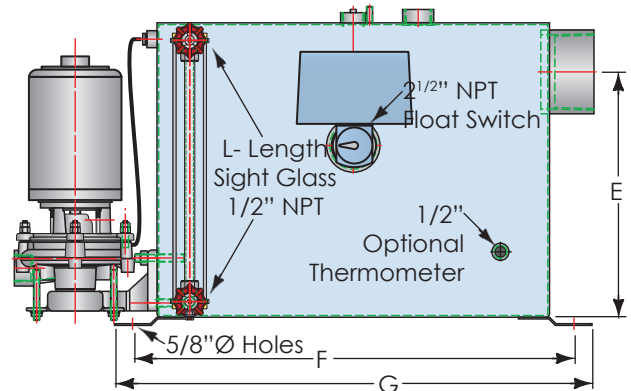
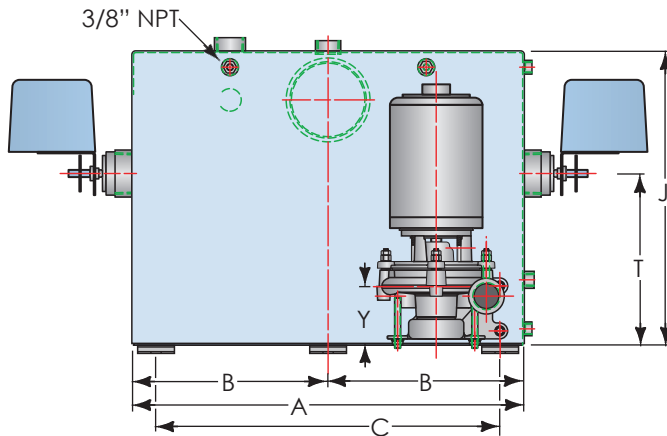
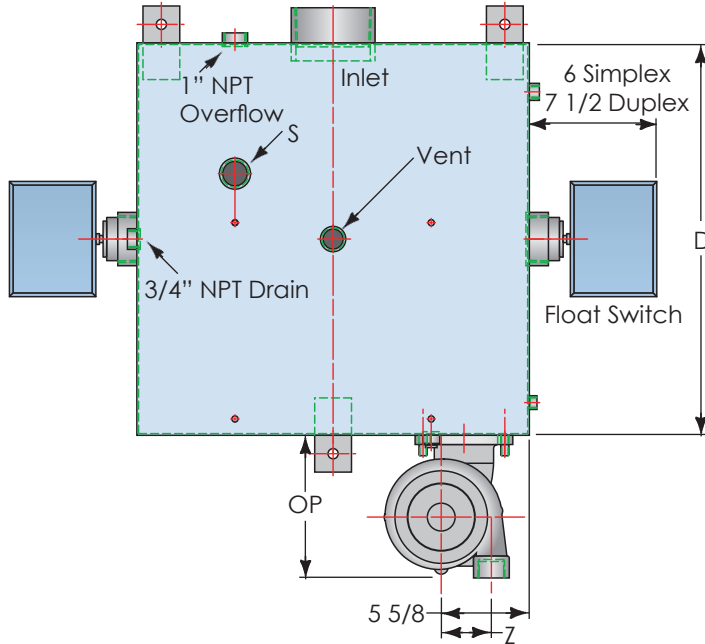
Note: When using motors with 1.0 service factor, use next larger horsepower than listed on the above chart. Most TEFC, washdown duty, and explosion proof motors are 1.0 service factor.

STAINLESS STEEL CONDENSATE UNIT DIMENSIONS

Pump Dimensions

Model	Pump Size		OP	Y	Z
	Disch.	Imp. Ø			
C4AB	1/2	4	8	2 1/16	2 5/16
C4BC	3/4	4	6 3/4	2 1/8	2 7/16
C4CD	1	4	8 3/16	2 3/8	2 3/4
C4DE	1 1/4	4	8 3/8	2 5/8	2 3/4
C4EF	1 1/2	4	8 3/8	2 15/16	2 13/16
C5AB	1/2	5	8 1/2	2 3/16	2 3/4
C5BC	3/4	5	8 1/2	2 3/16	2 13/16
C5CD	1	5	8 5/8	2 3/8	3
C5DE	1 1/4	5	9 3/16	2 11/16	3 1/16
C6AB	1/2	6	8 7/8	2 3/8	3 5/16
C6BC	3/4	6	9 3/8	2 3/16	3 1/4
C6CD	1	6	10 1/16	3	3 3/16

Note: OP Dimension will be 3" longer with optional isolation valve is added



Tank Dimensions

Tank Size	Inlet	Vent	A (width)	B	C	D (Depth)	E	F	G	H*	J (Height)	S	T
12	2	1	15	7 1/2	14 1/4	15	8 1/2	17	19 3/16	9	12	3/4	7
25	4	1	18	9	15	18	15	23	25 3/16	10	18	3/4	10 1/2
45	4	1 1/2	24	12	21 1/16	24	15	27	29 3/16	16	18	1 1/2	10 1/2
70	4	1 1/2	30	15	27 1/16	30	15	33	35 3/16	22 1/16	18	1 1/2	10 1/2
100	4	1 1/2	36	18	33 3/16	36	15	39	41 3/16	28	18	1 1/2	10 1/2
135	4	1 1/2	36	18	33 3/16	36	21	39	41 3/16	28	24	---	16 1/2

*Duplex Tank Only

STAINLESS STEEL CONDENSATE UNIT ACCESSORIES



Sight Gage Assembly

SS bottom fixture with shut-off valve, SS top fixture, 2- heavy duty SS glass guards, and tempered glass tube.

Butterfly Isolation Valves (Optional)

Butterfly Isolation Valves between pump and receiver are available. These valves are of great value when removing one pump of a duplex system without having to shut the system down.

Float Switches

Float Switches are heavy duty 2 pole with stainless steel rod and float. Duplex alternating float switch includes high level lag pump on feature. Nema 1 standard, Nema 4.7, or 9 are available.

Pressure Gauges (Optional) Not Shown

2 1/2" Liquid Filled SS Casing

Thermometer (Optional)

2 1/2" Diameter face, Bi-metal, 4" stem, Range 32 - 250°F.

Motor Adapters (Optional)

An adapter is available to allow the use of any 56C face motor.

